

用心服务 · 品质卓越



**FZB衬氟自吸泵 FZB FLUOROPLASTIC LINING SELF-SUCTION PUMPS**

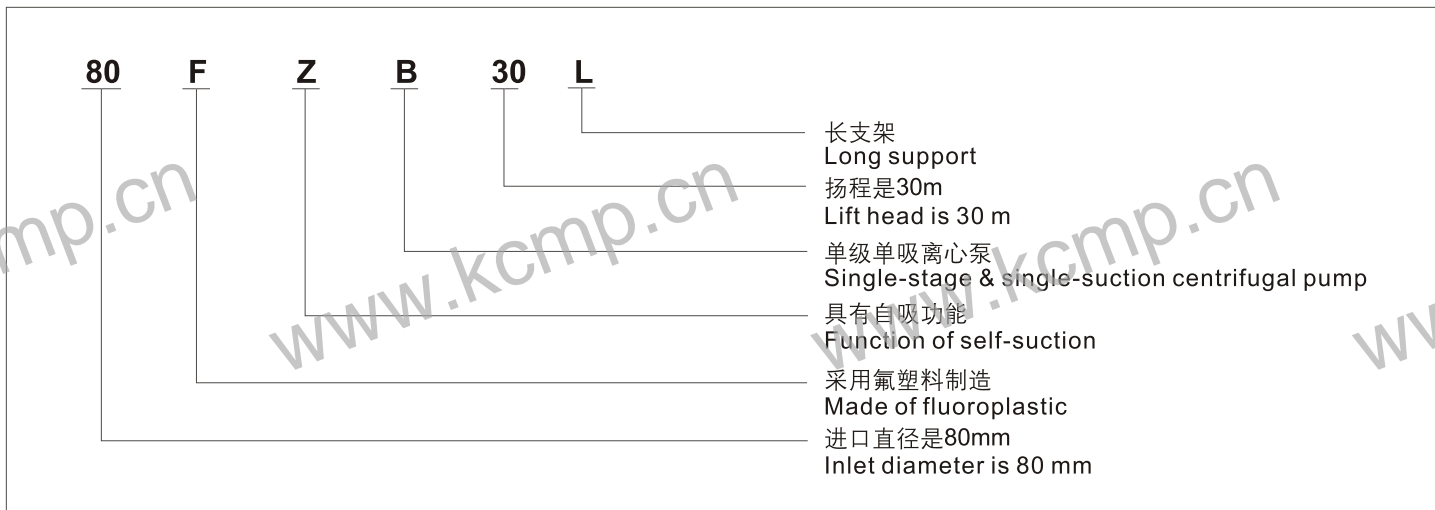
产品说明书 Product specification

**FZB型氟塑料衬里自吸泵产品简介** Brief Introduction of FZB Fluoroplastic Lining Self-Suction Pumps

▶ **FZB型氟塑料衬里自吸泵** FZB Fluoroplastic Lining Self-Suction Pumps



▶ **型号意义** Designation



▶ **特点** Features

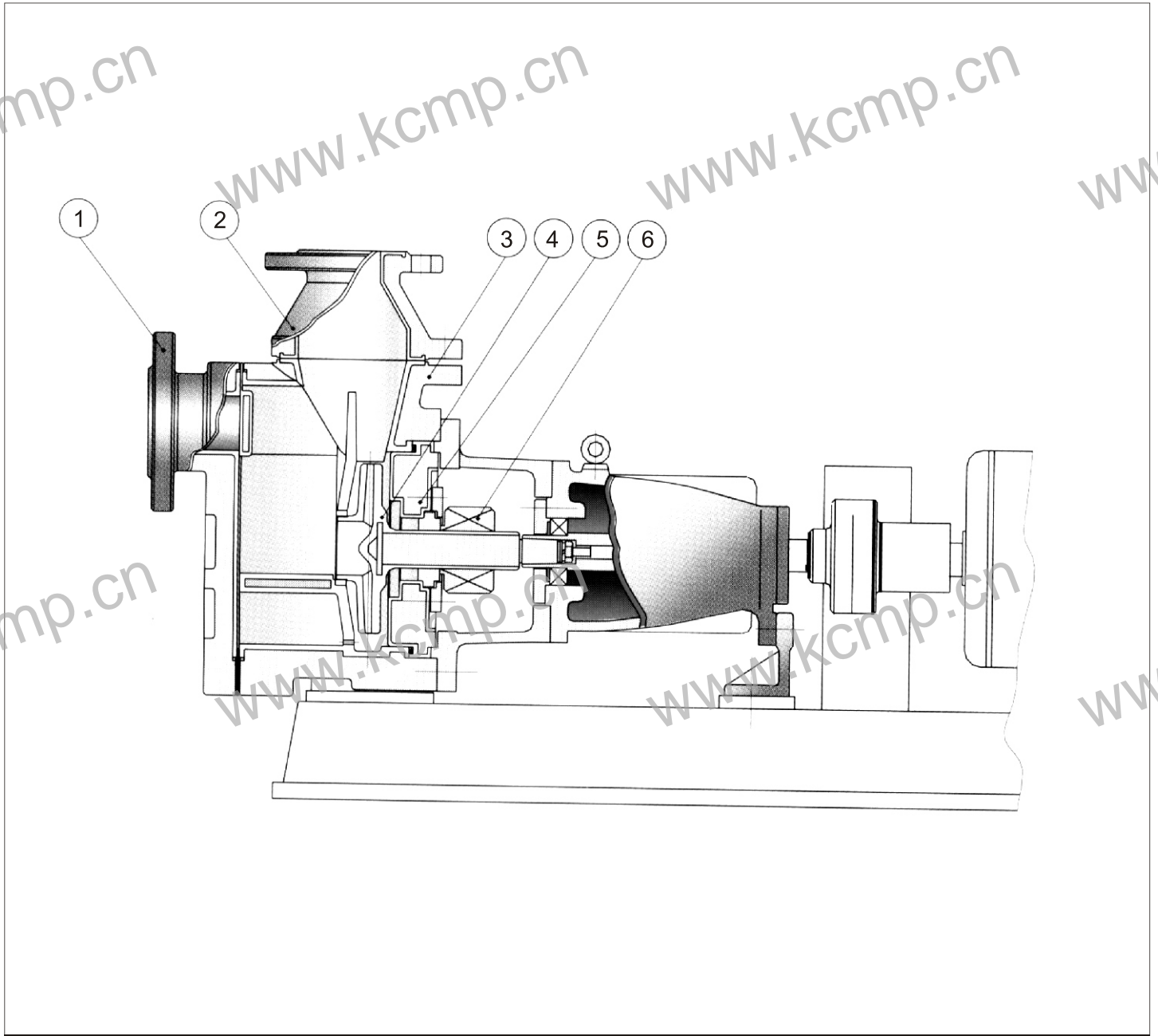
FZB系列自吸离心泵，过流部件均采用氟塑料合金制造。最突出的优点是具有自吸功能，自吸高度可根据介质密度在1至3米内确定。

FZB series of self-suction centrifugal pumps, its overflow part is made of fluoroplastic alloy. Its most prominent advantage is that it owns function of self-suction, and height of self-suction can be determined between 1 ~ 3 meters according to density of media.

▶ **用途** Applications

- 本产品广泛适用于化工、农药、制酸制碱、造纸、酸洗工艺、电子等行业。
- 使用温度：-20℃~100℃
- This product is widely applied in industries such as chemical industry, pesticide, acid & alkali products manufacturing, papermaking, pickling technology and electronics etc.
- Operating temperature: -20℃~100℃

▶ 结构图 Structural Drawing

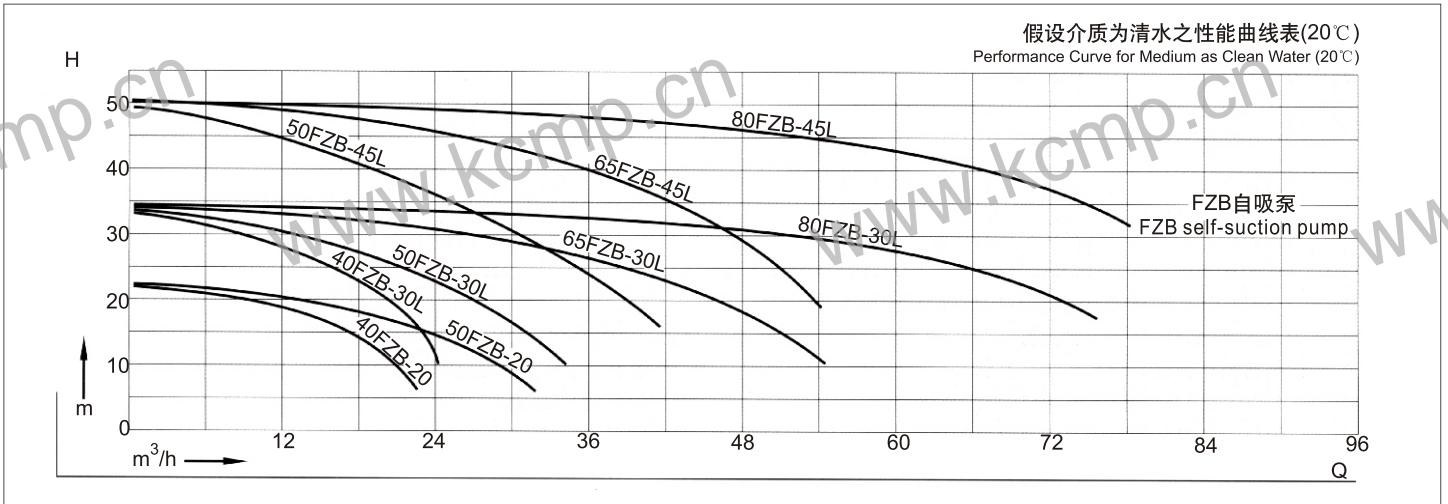


▶ 材料表 Material Table

序号 No.	1	2	3	4	5	6
名称 Name	前盖 Front cover	联结法兰 connecting flange	泵体 Pump body	叶轮 Impeller	泵盖 Pump Cover	机封密封 mechanical seal
材料 Material	F46/HT200	F46/HT200	F46/HT200	氟塑料合金 Fluoroplastic alloy	氟塑料合金、 Fluoroplastic alloy HT200	四氟乙烯-氧化铝、 碳化硅、硬质合金 PTFE-Alumina, carborundum, hard alloy

**FZB型泵性能曲线图、性能参数表及安装尺寸图表** Performance Curve, Performance Parameters Table and Installation Dimensions Drawing, Table of FZB Pumps

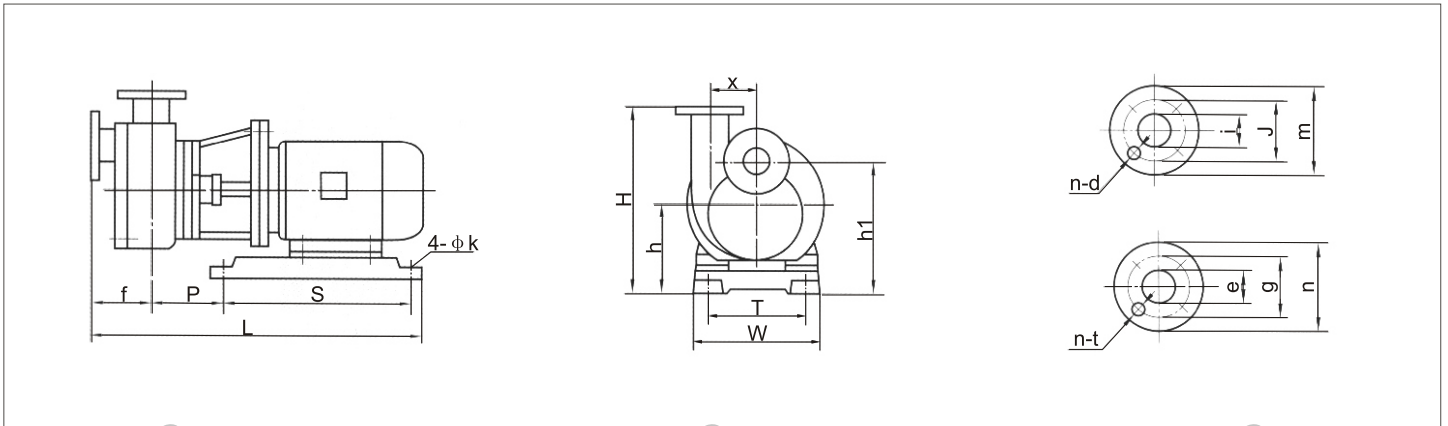
▶ **性能曲线图** Performance Curve



▶ **性能参数表** Performance Parameters

Type 型号	Q (m³/h) Capacity 流量	Head (m) 扬程	Inlet Caliber (mm) 进口口径	Outlet Caliber (mm) 出口口径	Power KW 电机功率	r/min speed 转速	(NPSH)r (m) 汽蚀余量	Efficiency % 效率	Self-suction height (m) 自吸高度	Self-suction time (s) 自吸时间
40FZB-20	8	20	φ 40	φ 40	3	2900	2.0	42	3	180
50FZB-20	12	20	φ 50	φ 50	3	2900	2.5	42	3	180

▶ **安装尺寸图** Installation Dimensions Drawing

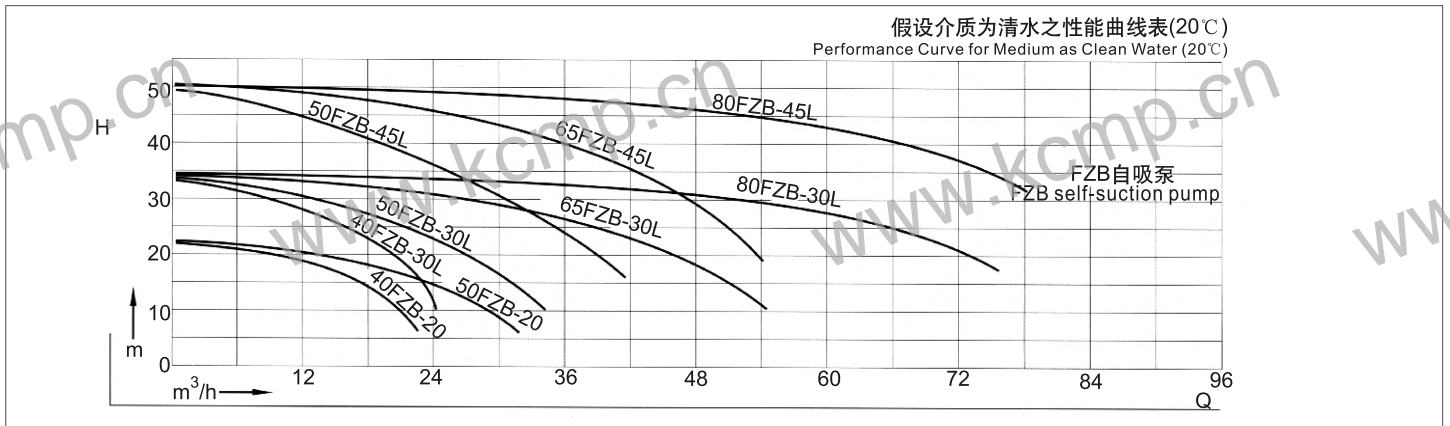


▶ **安装尺寸表** Installing Dimensions

Series 系列	Type 型号	外型及安装尺寸 Outline and Installation Dimensions											进口法兰尺寸 Inlet Flange Dimensions				出口法兰尺寸 Outlet Flange Dimensions			
		L	S	P	f	W	T	H	h	h1	x	k	i	j	m	n-d	e	g	n	n-t
短支架 Short support	40FZB-20	590	310	160	110	220	170	305	140	240	65	12	40	100	130	4-13	40	100	130	4-13
	50FZB-20	590	310	160	110	220	170	305	140	240	65	12	40	100	130	4-13	50	100	130	4-13

FZB型泵性能曲线图、性能参数表及安装尺寸图表 Performance Curve, Performance Parameters Table and Installation Dimensions Drawing、Table of FZB Pumps

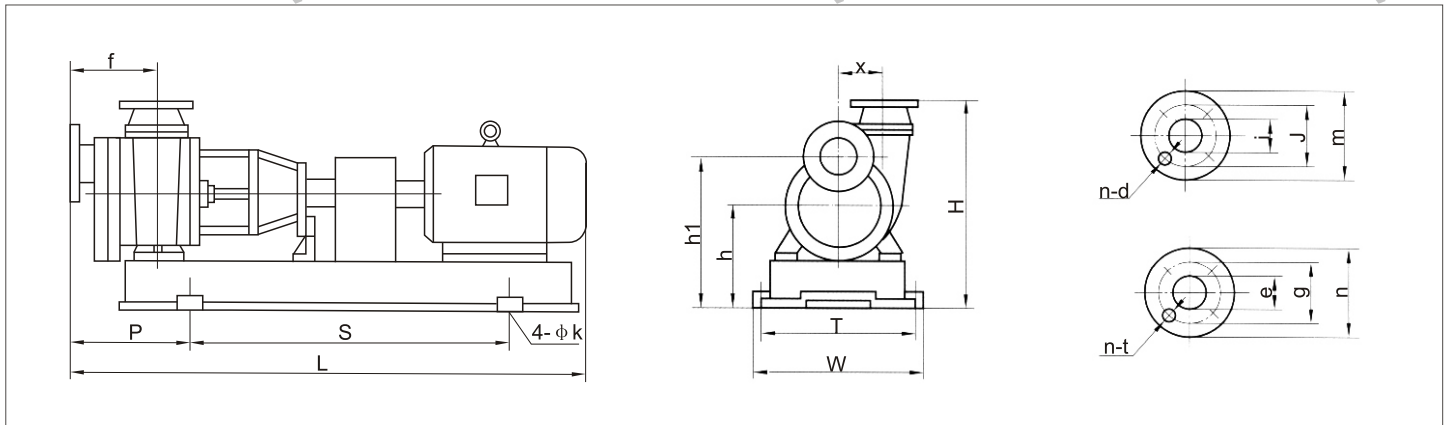
▶ 性能曲线图 Performance Curve



▶ 性能参数表 Performance Parameters

Type 型号	Capacity (m³/h) 流量	Head (m) 扬程	Inlet Caliber (mm) 进口口径	Outlet Caliber (mm) 出口口径	Power KW 电机功率	Speed (r/min) 转速	(NPSH)r (m) 汽蚀余量	Efficiency (%) 效率	Self-suction height (m) 自吸高度	Self-suction time (s) 自吸时间
40FZB-30L	8	30	φ40	φ40	4	2900	2.0	48	3	150
50FZB-30L	12	30	φ50	φ50	4	2900	2.5	52	3	150
50FZB-45L	12	45	φ50	φ32	7.5	2900	2.5	35	3	150
65FZB-30L	25	30	φ65	φ50	7.5	2900	3.0	55	3.5	200
65FZB-45L	25	45	φ65	φ40	11	2900	3.5	42	3	180
80FZB-30L	50	30	φ80	φ65	11	2900	3.5	58	4	150
80FZB-45L	50	45	φ80	φ65	15	2900	4	53	4	180

▶ 安装尺寸图 Installing Dimensions Drawing



▶ 安装尺寸表 Installing Dimensions

Series 系列	Type 型号	外型及安装尺寸 Outline and Installation Dimensions											进口法兰尺寸 Inlet Flange Dimensions				出口法兰尺寸 Outlet Flange Dimensions			
		L	S	P	f	W	T	H	h	h1	x	k	i	j	m	n-d	e	g	n	n-t
长支架 Long support	40FZB-30L	1150	590	290	205	390	330	508	232	342	90	25	40	125	165	4-18	50	125	165	4-18
	50FZB-30L	1150	590	290	205	390	330	508	232	342	90	25	50	125	165	4-18	50	125	165	4-18
	50FZB-45L	1230	650	320	200	450	380	610	260	410	112	25	50	125	165	4-18	32	100	135	4-18
	65FZB-30L	1230	650	355	250	450	380	520	232	342	98	25	65	145	185	4-18	50	125	165	4-18
	65FZB-45L	1400	730	321	221	500	450	642	260	425	114	25	65	145	185	4-18	40	100	150	4-18
	80FZB-30L	1240	730	330	210	450	450	520	260	370	110	24	80	160	200	8-18	65	145	185	4-18
	80FZB-45L	1370	740	370	260	500	450	590	260	440	165	24	80	160	200	8-18	65	145	185	4-18



## 上海凯程制泵有限公司

SHANGHAI KAICHENG PUMP CO.,LTD

地址：上海市陕西北路1438号

邮编：200060

电话：021-62989587 62989687

021-56701122 52527372

0086-21-62989871

传真：021-62989790

国内贸易邮箱：kcmp@kcmp.cn

国际贸易邮箱：Sell@kcmp.cn

公司邮箱：kaicheng@sh163.net

公司网址：<http://www.kcmp.cn>

免费咨询电话：8008207382

Add: No.1438 Shanxi North Road,Shanghai.

Zip: 200060

Tel: 021-62989587 62989687

021-56701122 52527372

0086-21-62989871

Fax: 021-62989790

Domestic Trade: kcmp@kcmp.cn

International Trade: Sell@kcmp.cn

E-mail: kaicheng@sh163.net

Web: [www.kcmp.cn](http://www.kcmp.cn)