

用心服务 · 品质卓越



WQ/QW型潜水排污泵 WQ/QW SUBMERSIBLE SEWAGE PUMPS

使用说明书 Working Instruction

WQ型潜水式排污泵简介 Brief Introduction of WQ Submersible Sewage Pumps

WQ型潜水式排污泵 WQ Submersible Sewage Pumps



WQ(QW)型潜水式排污泵
(配潜水电机)机械密封
WQ Submersible Sewage Pumps
Submersible Motor > Mechanical Seal

特点 Features

- 采用了独特的大通道叶轮结构,大大提高了污物通过能力,能有效地通过直径为泵口径约50%的固体颗粒;
- 本型泵可根据用户的要求安装各种保护装置,包括:定子绕组温升保护、轴承温升保护、油室漏水保护等以提高电泵的使用安全性;
- 可采用内自循环系统,利用介质冷却电机部分,使用更加安全,同时,还可以利用此结构将电泵以干式固定式形式安装;
- 采用最新材料精制而成的机械密封,其使用寿命可达8000小时以上;
- 可采用双导轨自动耦合安装装置,使机组的安装、维修方便、快捷;
- 可根据用户的需要配备各种形式的排污泵专用控制柜以实现自动化管理。
- The impeller adopts particular large channel structure, so the drain capacity has been improved greatly, It can effectively pass the solid grain whose diameter is about 50% of the pump caliber.
- To improve the application safety this pump can be fixed with various protective devices according to the consumer's requirements, including: stator winding temperature-rise protection, bearing temperature-rise protection, oil chamber water-leakage protection etc devices.
- It adopts inner self-flow circulation system. The motor is cooled by liquid, so it is safer to use. At the same time, the electric pump can be installed in dry and fixed form by this structure.
- Mechanical seal adopts the latest material and is made with extra care, so its life is over 8000 hours.
- It can adopt double-way and automatic coupling installation device which makes the installation, maintenance of the unit convenient and quick.
- To realize automation management we will equip various forms sewage special control cabinet according to the consumer's requirements.

用途 Applications

- 生活污水排放 Living waste water discharging
- 市政工程排污系统 Sewage system of municipal works
- 厂矿企业排污系统 Sewage system in factory and mine corporation
- 其他无腐蚀小粘度介质的输送 Other transportation of non-corrosive and diluted medium
- 临时排涝 Temporary floodwater discharging
- 公共设施污水排放 Waste water discharging of public facility
- 可用于各种排水系统 Various water-discharging system

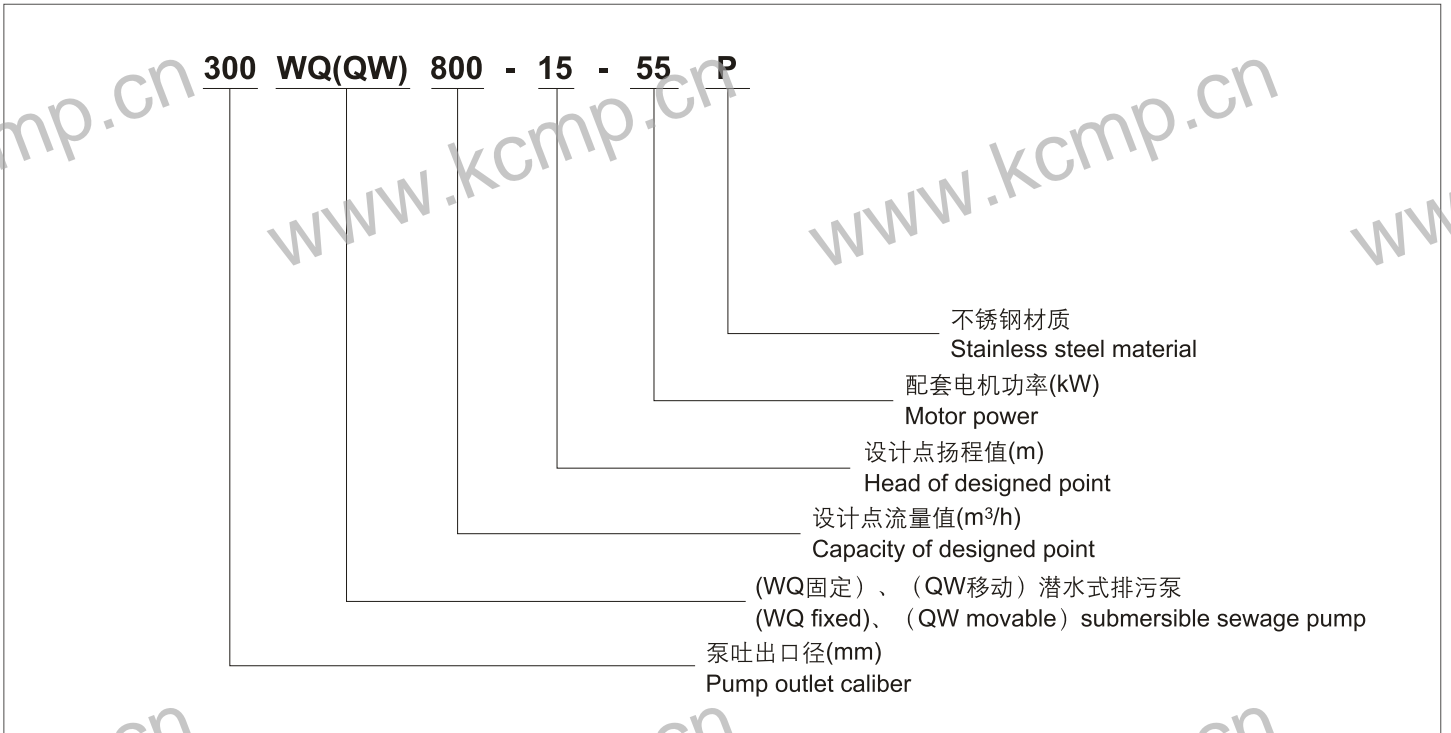
工作条件 Operating Conditions

- 流量范围 Capacity scope: 2~1500m³/h;
- 系统压力 System pressure: ≤ 0.6MPa;
- 介质密度 Medium consistency: < 1.3 × 10³kg/m³;
- 电机防护等级 Motor protection class: IP68;
- 旋转方向 Rotation: 由电机向叶轮看顺时针旋转 clockwise rotation viewed from motor;
- 扬程范围 Head scope: 3~45m;
- 介质温度 Medium temperature: -15℃~+60℃;
- 介质PH值范围 Medium PH scope: 5~9;
- 电机绝缘等级 Motor insulation class: F级 F grade;
- 额定转速 Rated speed: 970~2900r/min;

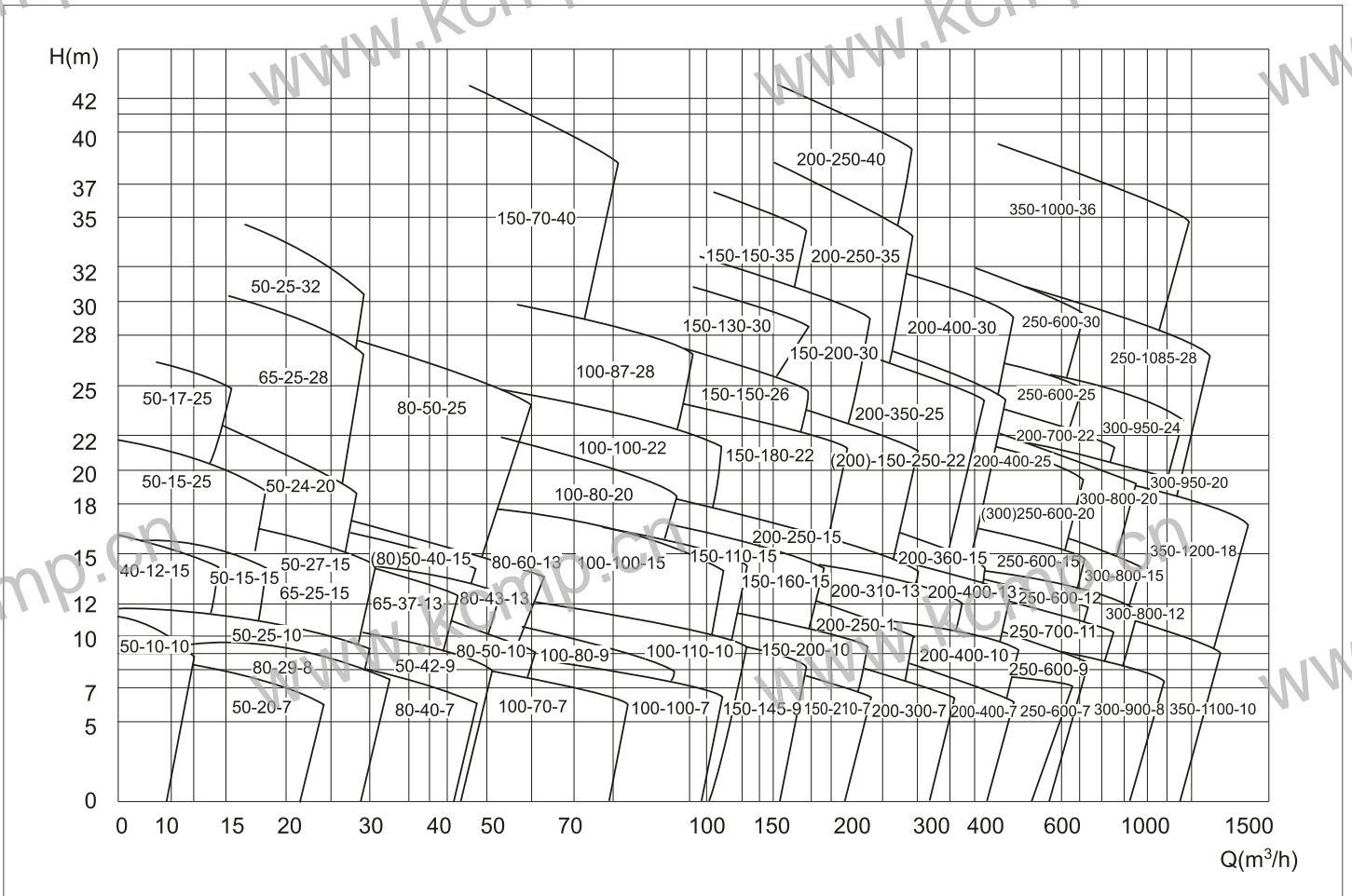
供货范围 Supply Scope

- 水泵(电缆长10米)、包装及使用说明书。水泵的自动耦合安装装置、软管、自动控制装置等可作为附件供货(附件需另计价)。
注:特殊温度、压力、强腐蚀性等情形应事先提出,以便提供更为可靠之产品。
 - Pump(length of the cable is 10 meters), packing and specification. Pump automatic coupling installation device, soft pipe, automatic controllers etc can be provided as accessories(accessories shall be valuated separately).
- Note: Cases of special temperature, pressure, high erosion etc should be put forward in advance, so we can provide you are reliable product.

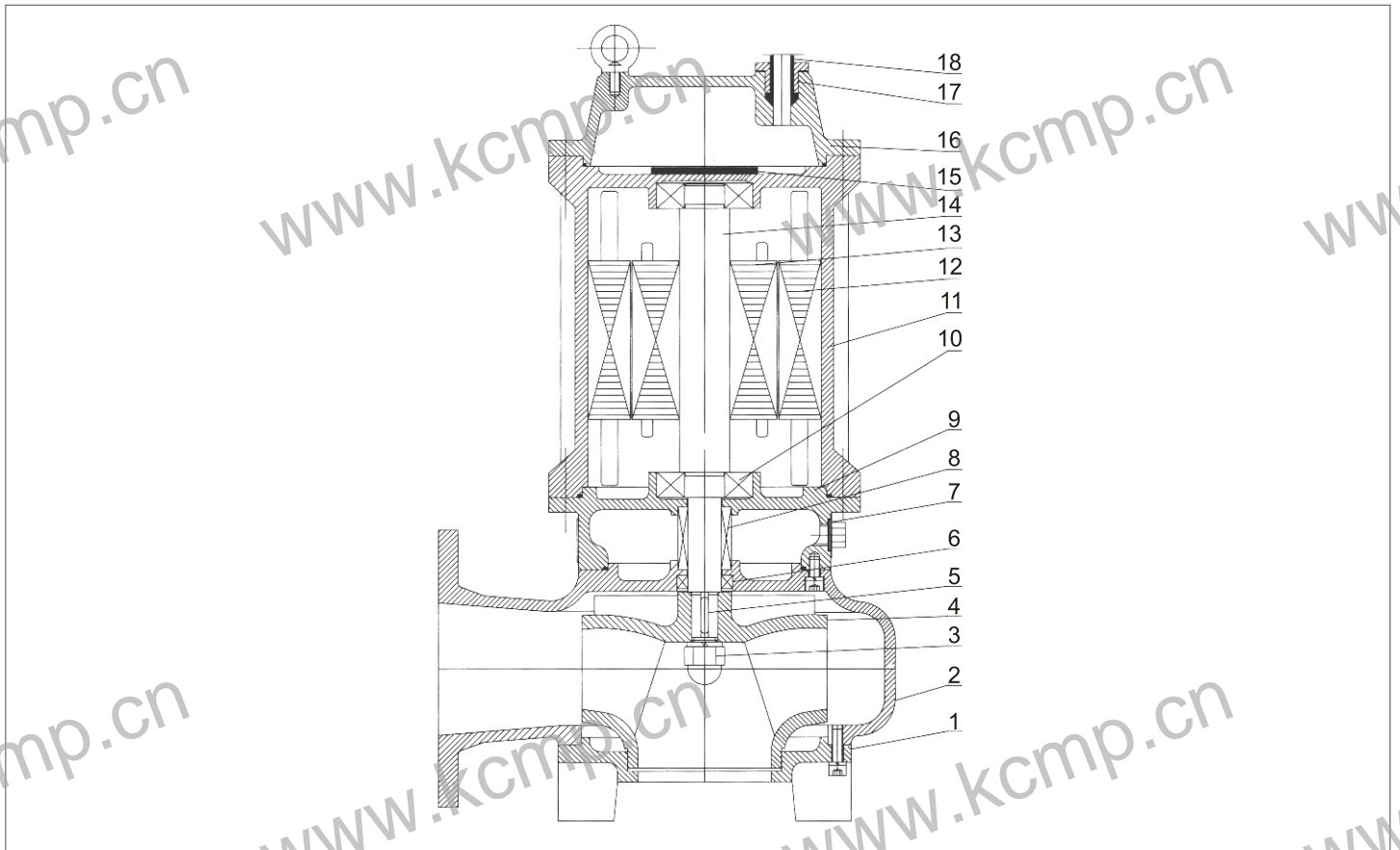
型号意义 Designation



型谱图 Hydraulic Coverage



▶ 结构图(不带内循环冷却系统, 0.75~30kW) Structural Drawing(Cooling system without internal cycling,0.75~30kW)



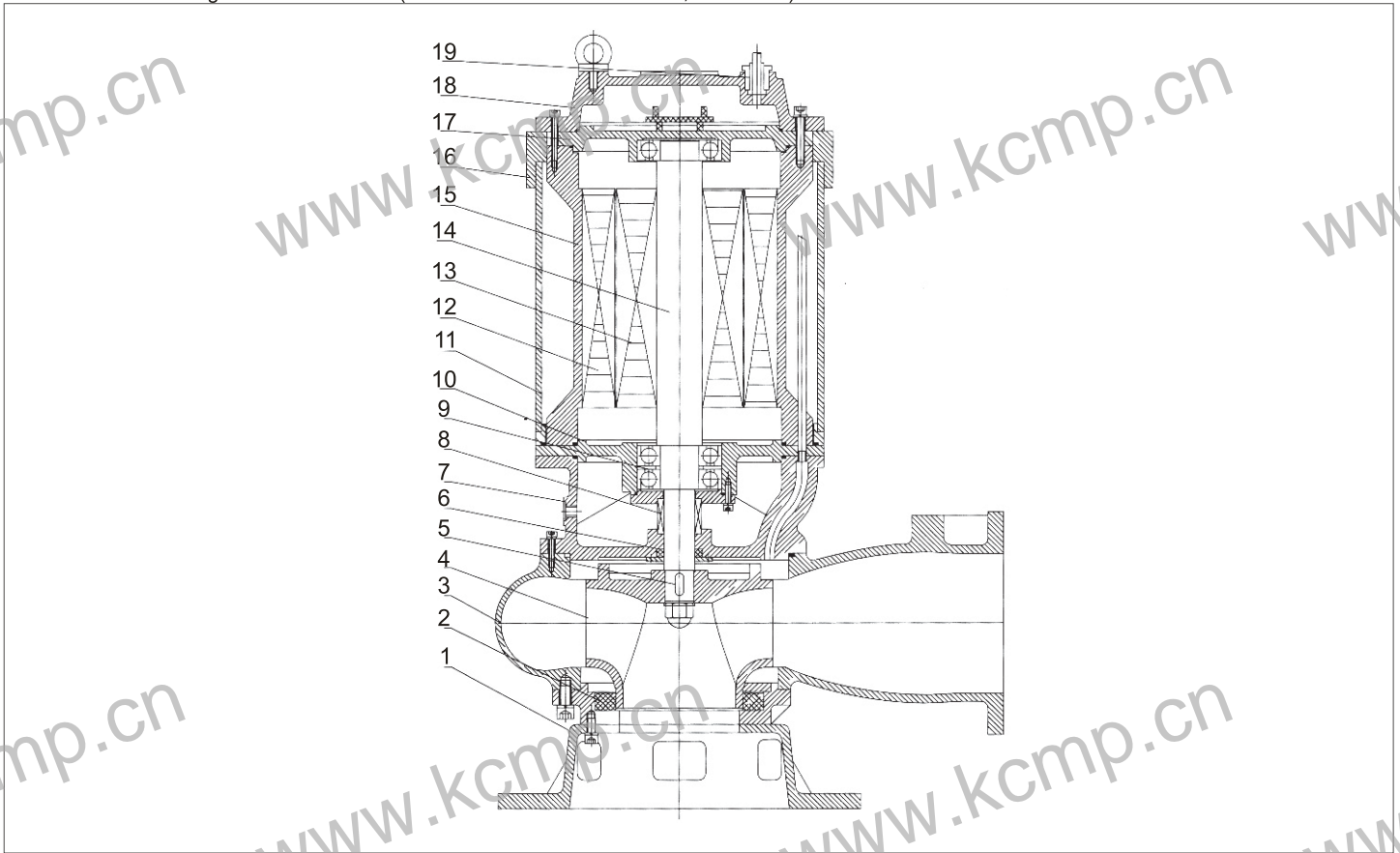
▶ 材料表 Material Table

序号 No.	名称 Name	材料 Material	序号 No.	名称 Name	材料 Material
1	底座 Pump case	HT200	10	轴承 Bearing	轴承钢 Bearing Steel
2	泵体 Casing	HT200	11	电机壳体 Motor Casing	HT200
3	叶轮螺母 Impeller Nut	优质碳钢 High-grade Carbon Steel	12	定子总成 Stator Assembly	DR510
4	叶轮 Impeller	HT200	13	转子总成 Rotor Assembly	DR510
5	键 Key	优质碳钢 High-grade Carbon Steel	14	主轴 Pump Shaft	不锈钢 Stainless Steel
6	骨架油封 Framework Seal	复合材料 Composite Material	15	接线板 Panel	陶瓷 Porcelain
7	注油螺栓 Oil Bolt	碳钢 Carbon Steel	16	上端盖 Upper Cover	HT200
8	机械密封 Mechanical Seal	碳化硅等 Carborundum Etc	17	密封压盖 Seal Gland	HT200
9	油室 Oil Chamber	HT200	18	进线密封 Line-enter Seal	橡胶 Rubber

WQ型泵结构图及材料表 Structural Drawing and Material Table of WQ Pumps

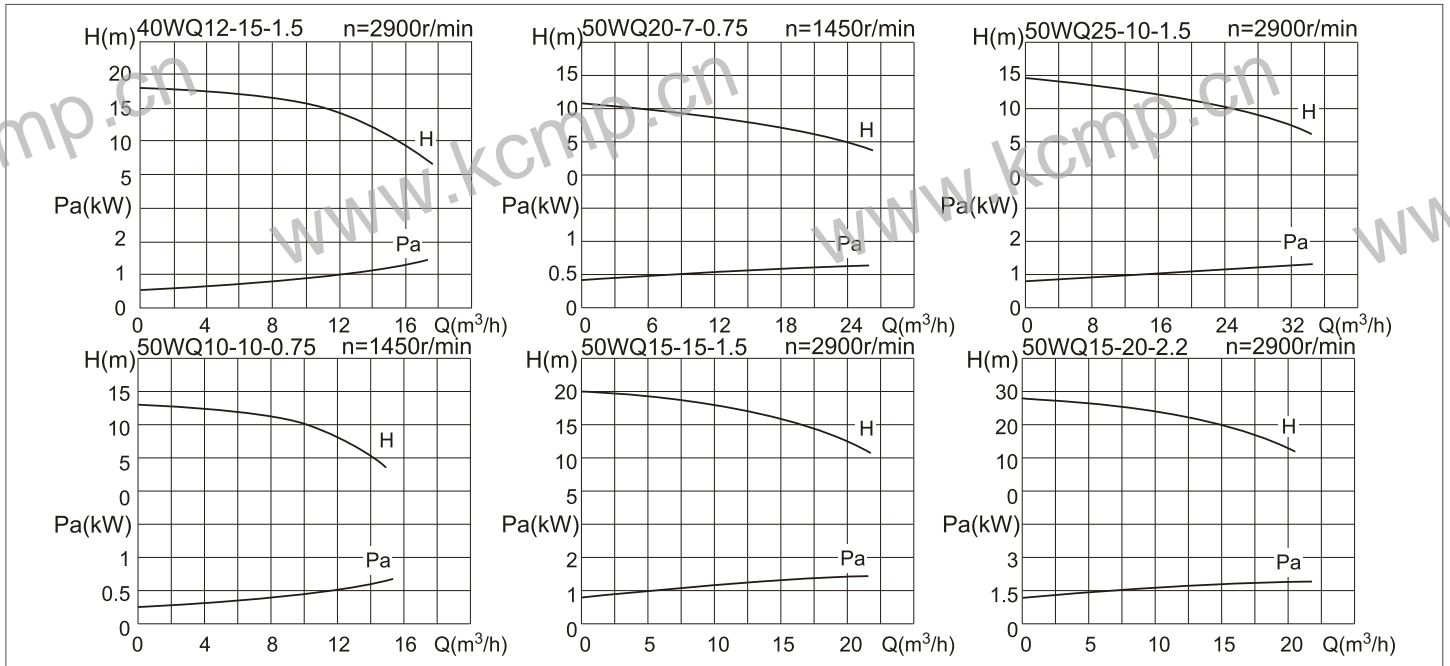
结构图(带内循环结构, 15~200kW)

Structure Drawing and Material Table (with inner-circulation Structure, 15~200kW)


材料表 Material Table

序号 No.	名称 Name	材料 Material	序号 No.	名称 Name	材料 Material
1	底座 Pump case	HT200	10	外套 Wrap	
2	密封环 Wear Ring	HT200或铜合金 Or copper Auoy	11	定子总成 Stator Assembly	DR510
3	泵体 Casing	HT200	12	转子总成 Rotor Assembly	DR510
4	叶轮 Impeller	HT200	13	主轴 Pump Shaft	不锈钢 Stainless Steel
5	键 Key	优质碳钢 High-grade Carbon Steel	14	电机壳体 Motor Cassing	HT200
6	骨架油封 Framework Seal	复合材料 Composite Material	15	护套 Cover	HT200
7	油室 Oil Chamber	HT200	16	上端盖 Upper Cover	HT200
8	机械密封 Mechanical Seal	碳化硅等 Carborundum Etc	17	密封盖 Seal Cover	HT200
9	轴承 Bearing	轴承钢 Bearing Steel	18	进线密封 Line-enter Seal	橡胶 Rubber
10	轴承体 Bearing Housing	HT200	19		

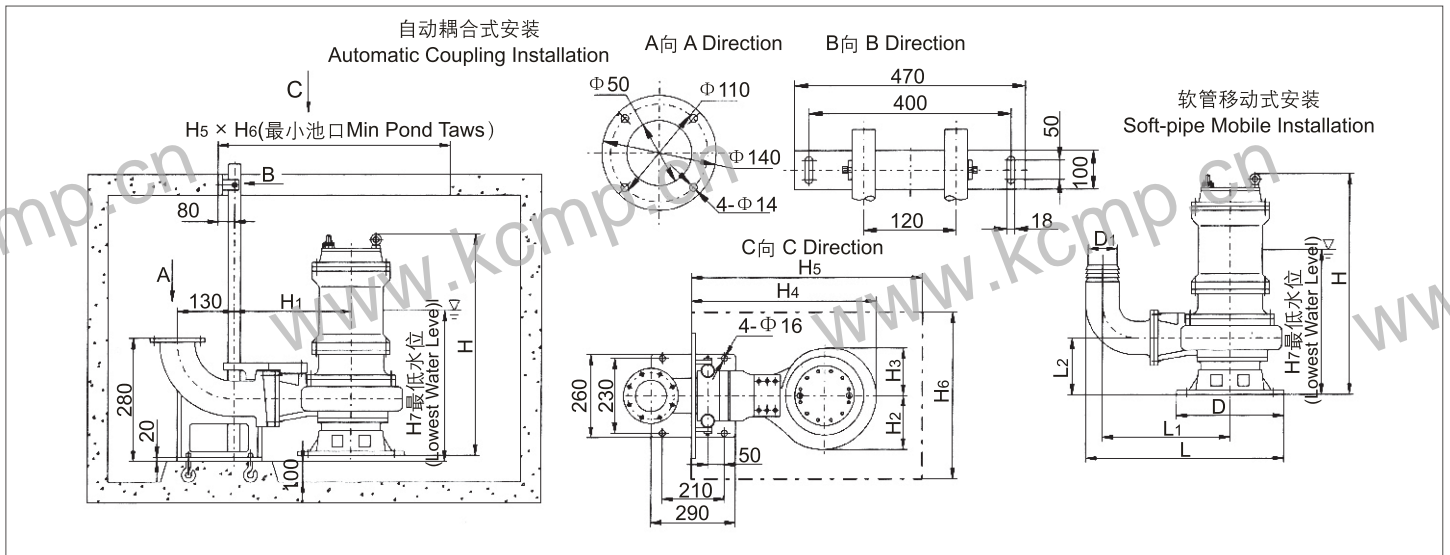
▶ **性能曲线图** Performance Curve



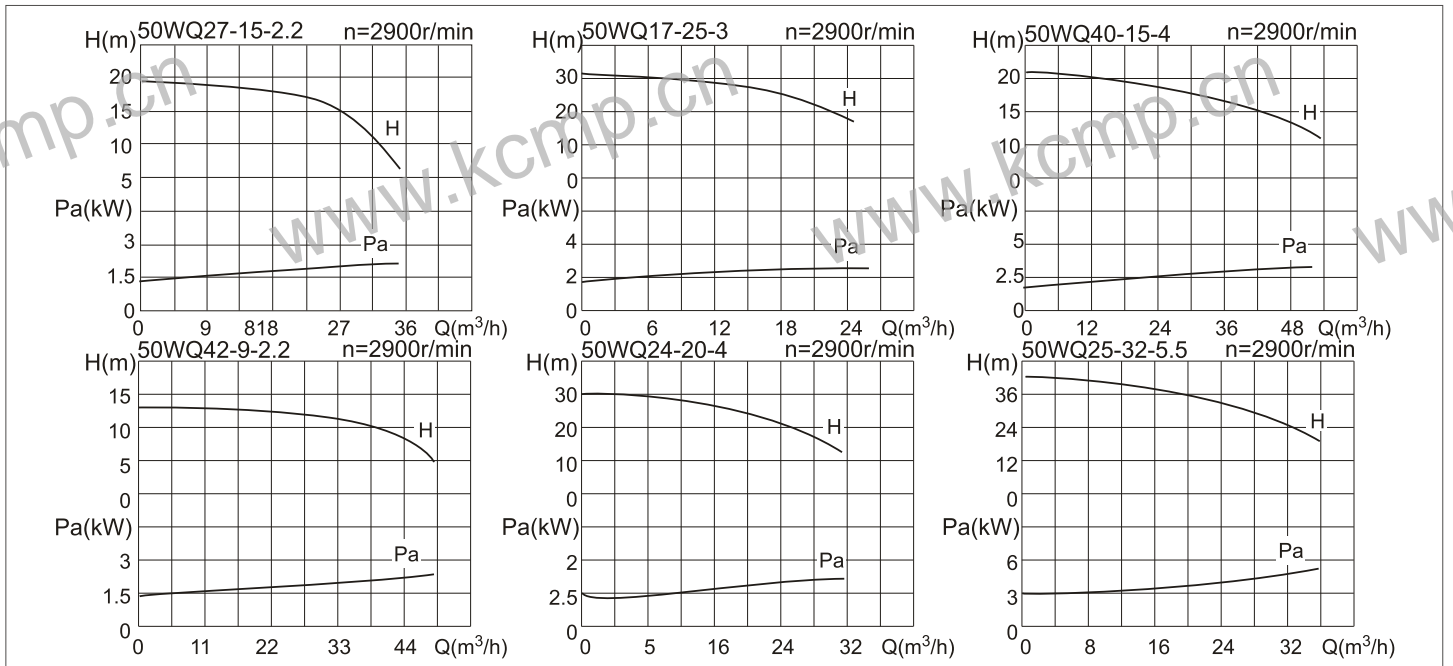
▶ **性能参数及安装尺寸表** Performance Parameters and Installation Dimensions

Type 泵型号	Q (m³/h) 流量	Head (m) 扬程	% 效率	Power kw 电机功率	r/min 转速	耦合器 Coupler 型号Type	H	H ₁	H ₂	H ₃	H ₄	H ₅	H ₆	H ₇	L	L ₁	L ₂	D	D ₁	Weight kg 泵重量
40WQ12-15-1.5	8.4 12 14.4	16 15 14	41 48 47	1.5	2900	GAK-50	555	258	105	105	443	550	550	360	345	217	118	Φ210	Φ45	55
50WQ10-10-0.75	7 10 12	11.5 10 8	48 54 52	0.75	1450	GAK-50	570	286	132	128	494	650	600	360	400	245	150	Φ255	Φ50	45
50WQ20-7-0.75	14 20 24	7.8 7 6.2	53 62 61	0.75	1450	GAK-50	570	286	132	128	494	650	600	360	400	245	150	Φ255	Φ50	50
50WQ15-15-1.5	10.5 15 18	16.5 15 14	42 51 50	1.5	2900	GAK-50	555	258	105	105	443	550	550	360	350	217	118	Φ210	Φ50	55
50WQ25-10-1.5	17.5 25 30	11.5 10 8	55 67 65	1.5	2900	GAK-50	555	258	105	105	443	550	550	360	350	217	118	Φ210	Φ50	60
50WQ15-20-2.2	10.5 15 18	22.5 20 17.3	47 51 51	2.2	2900	GAK-50	605	291	128	128	499	650	600	380	410	250	144	Φ255	Φ50	60

▶ **安装尺寸图** Installation Dimensions Drawing



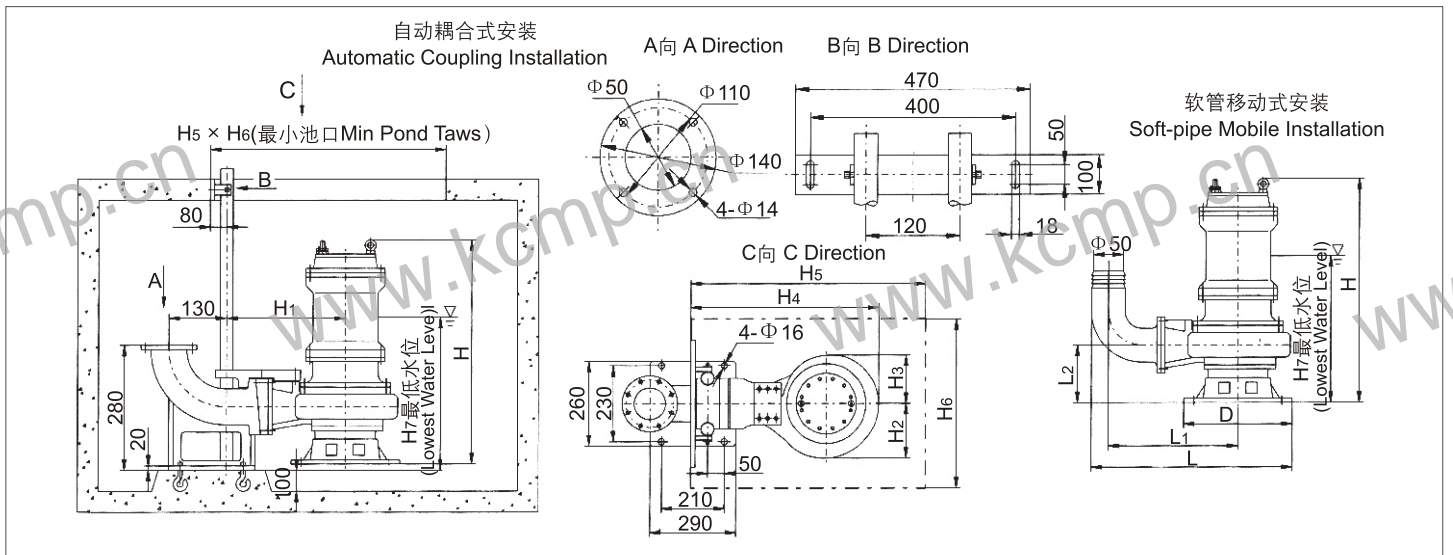
▶ **性能曲线图** Performance Curve



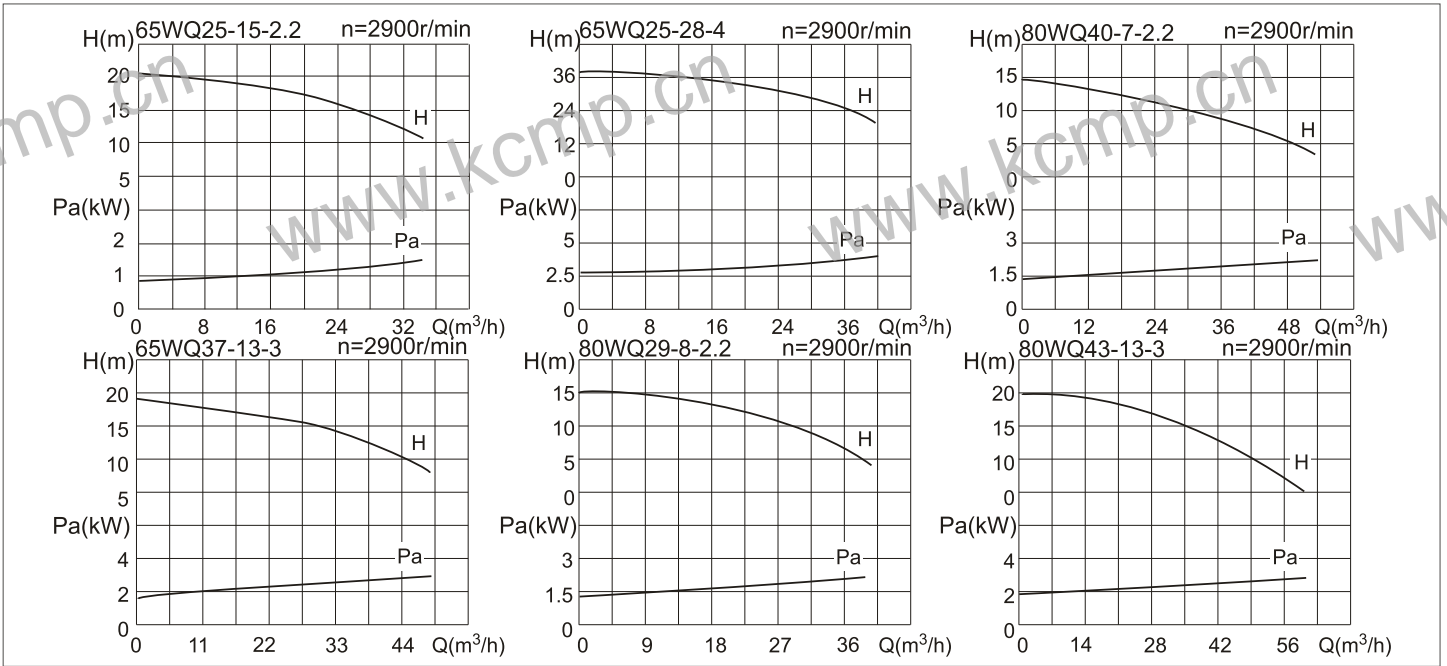
▶ **性能参数及安装尺寸表** Performance Parameters and Installation Dimensions

Type 泵型号	Q m³/h Capacity 流量	Head (m) 扬程	Efficiency % 效率	Power kw 电机功率	r/min speed 转速	耦合器 Coupler 型号Type	H	H ₁	H ₂	H ₃	H ₄	H ₅	H ₆	H ₇	L	L ₁	L ₂	D	Weight kg 泵重量
50WQ27-15-2.2	18.9 27 32.4	16.5 15 14	61 70 68	2.2	2900	GAK-50	605	291	128	128	499	650	600	380	410	250	144	Φ255	55
50WQ42-9-2.2	38 42 44	10 9 7	54 58 56	2.2	2900	GAK-50	590	295	131	115	495	650	600	365	410	254	126	Φ230	45
50WQ17-25-3	11.9 17 20.4	26 25 23.8	44 54 53	3	2900	GAK-50	615	258	132	128	466	650	600	3690	410	245	150	Φ255	50
50WQ24-20-4	22 24 28	23 110 17	56 67 61	4	2900	GAK-50	670	258	163	163	501	650	600	420	410	245	157	Φ325	55
50WQ40-15-4	28 40 48	16.5 15 14	56 67 64	4	2900	GAK-50	670	258	163	163	501	650	600	420	410	245	157	Φ325	60
50WQ25-32-5.5	17.5 25 30	36 32 27.5	42 49 51	5.5	2900	GAK-50	790	301	163	163	544	750	600	495	450	260	179	Φ325	60

▶ **安装尺寸图** Installation Dimensions Drawing



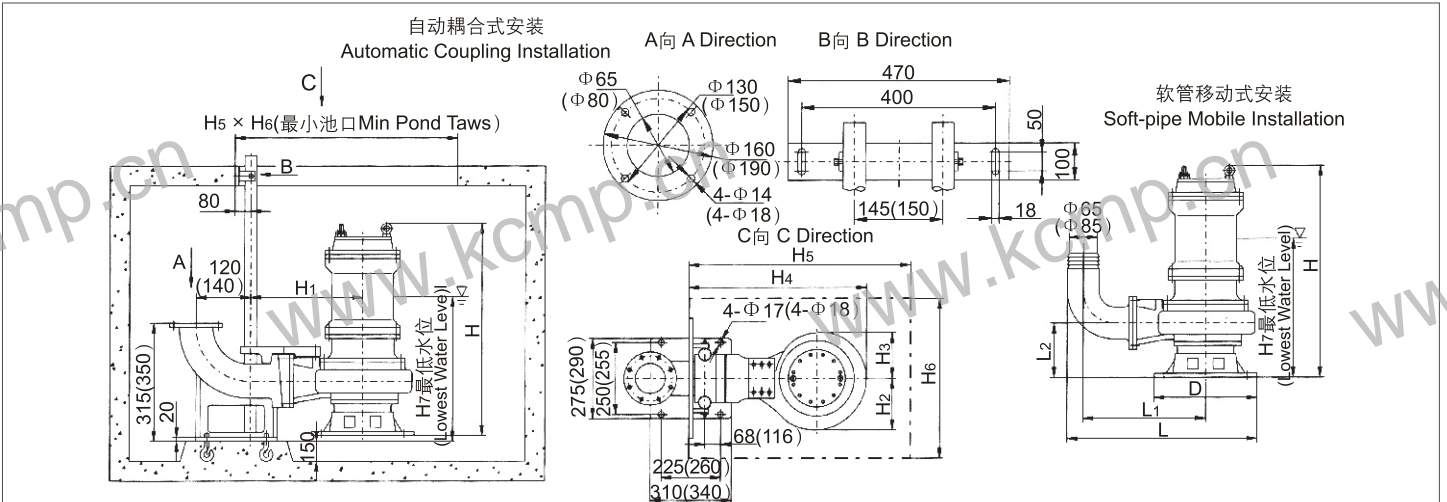
▶ **性能曲线图** Performance Curve



▶ **性能参数及安装尺寸表** Performance Parameters and Installation Dimensions

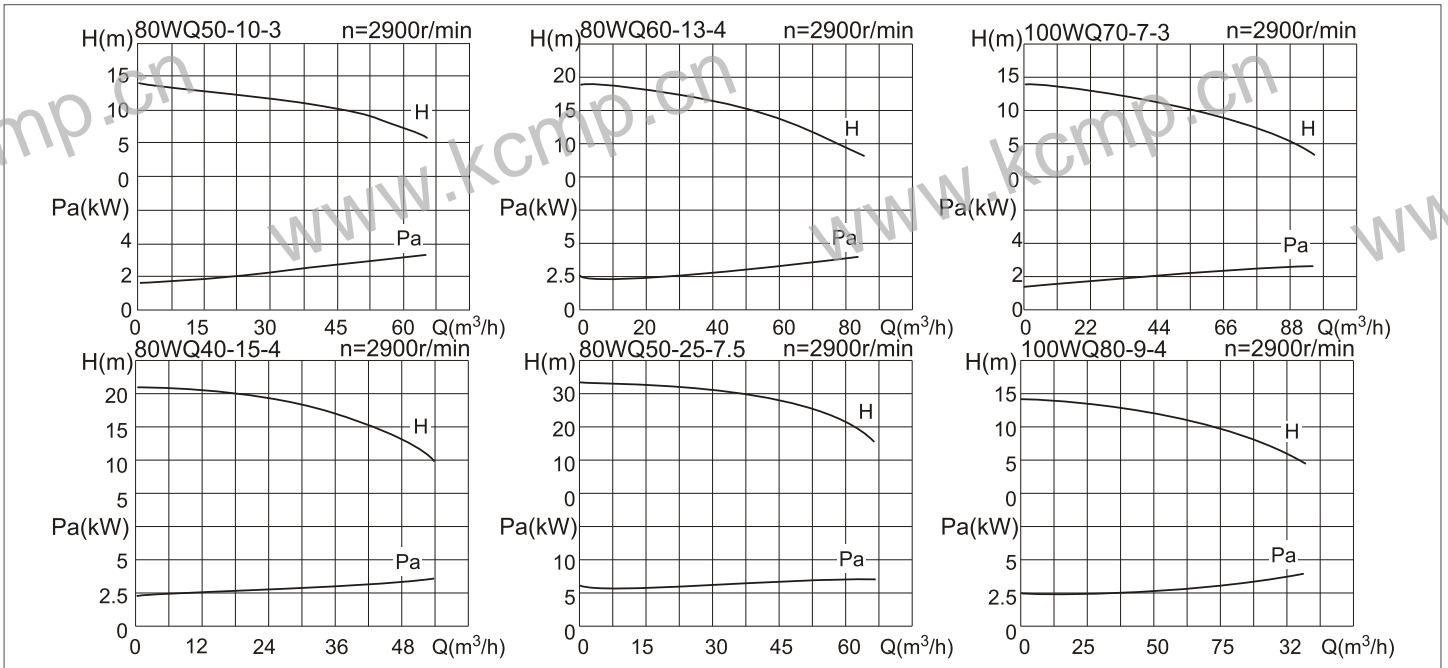
Type 泵型号	Q Capacity 流量	Head (m) 扬程	Efficiency % 效率	Power kw 电机功率	Speed r/min 转速	Coupler Coupler 型号 Type	H	H ₁	H ₂	H ₃	H ₄	H ₅	H ₆	H ₇	L	L ₁	L ₂	D	Weight kg 泵重量
65WQ25-15-2.2	17.5 25 30	17.2 15 13	46 52 54	2.2	2900	GAK-65	590	303	128	128	511	750	600	375	420	250	140	Φ255	60
65WQ37-13-3	25.9 37 44.4	14.5 13 11	52 60 58	3	2900	GAK-65	620	316	136	128	524	750	600	395	430	263	144	Φ255	80
65WQ25-28-4	17.5 25 30	30.2 28 26	47 52 58	4	2900	GAK-65	675	313	163	163	556	750	600	425	465	260	154	Φ325	90
80WQ29-8-2.2	20.3 29 34.8	9.5 8 6.5	39 45 43	2.2	2900	GAK-80	600	344	130	128	52	750	600	385	500	323	141	Φ255	70
80WQ40-7-2.2	28 40 48	9.5 7 5.7	49 50 47	2.2	2900	GAK-80	600	344	130	128	552	750	600	385	500	323	141	Φ255	70
80WQ43-13-3	30.1 43 51.6	15.2 13 9	58 65 53	3	2900	GAK-80	620	344	130	128	552	750	600	395	500	323	141	Φ255	80

▶ **安装尺寸图** Installation Dimensions Drawing



注: 65WQ25-15-2.2~65WQ25-28-4、(80WQ29-8-2.2~80WQ43-13-3为括号内尺寸)
Note: 65WQ25-15-2.2~65WQ25-28-4、(80WQ29-8-2.2~80WQ43-13-3 as the sizes in brackets.)

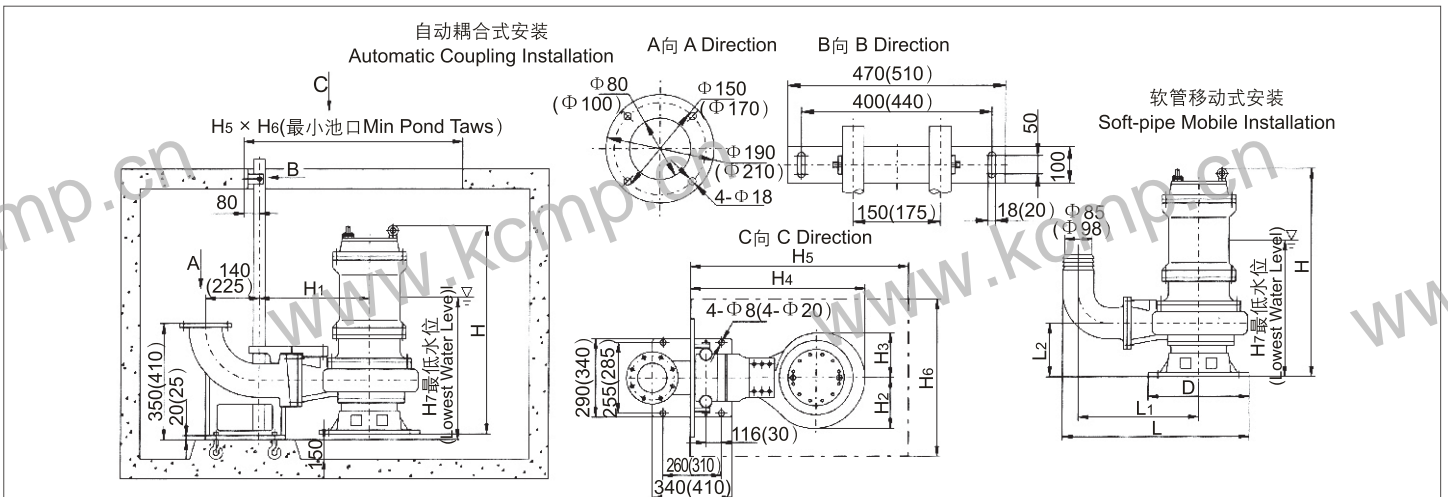
▶ **性能曲线图** Performance Curve



▶ **性能参数及安装尺寸表** Performance Parameters and Installation Dimensions

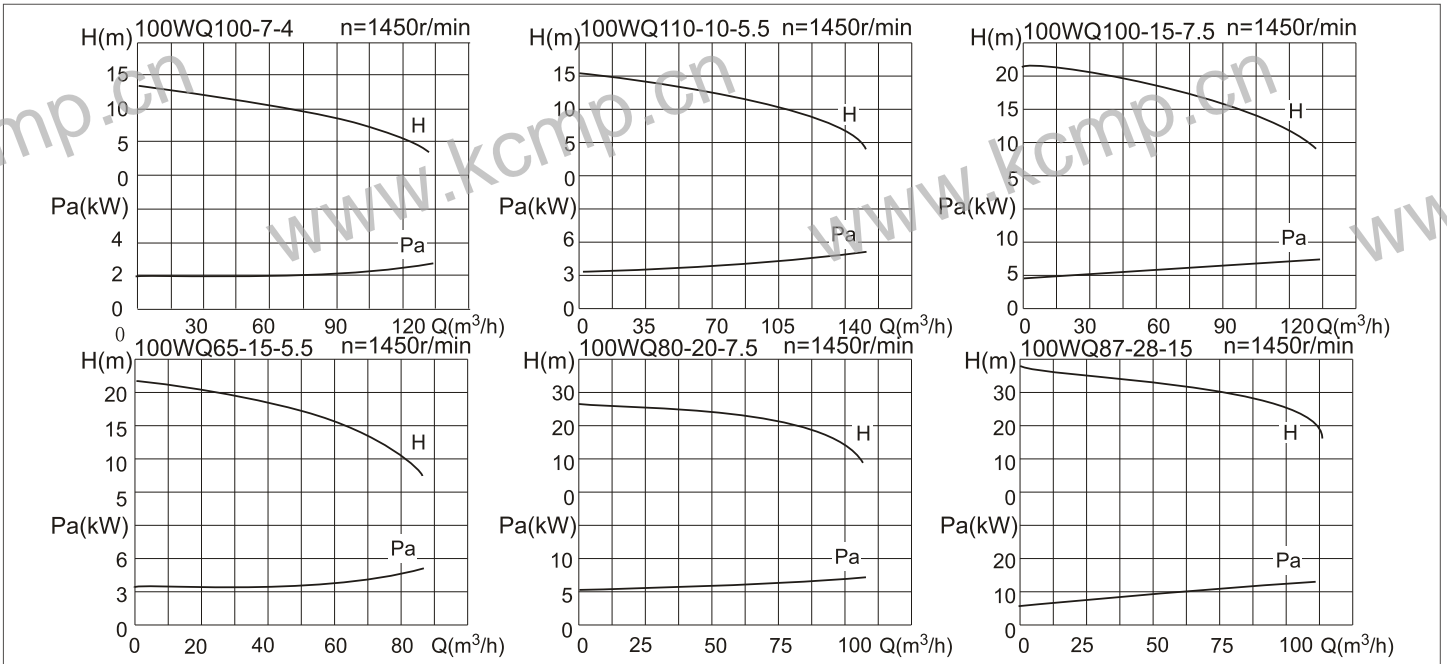
Type 泵型号	Q Capacity 流量	Head (m) 扬程	Efficiency (%) 效率	Power kw 电机功率	r/min speed 转速	耦合器 Coupler 型号 Type	H	H ₁	H ₂	H ₃	H ₄	H ₅	H ₆	H ₇	L	L ₁	L ₂	D	Weight kg 泵重量
80WQ50-10-3	35	11.5	58	3	2900	GAK-80	620	344	130	128	552	750	600	395	500	323	141	Φ255	110
	50	10	65																
	60	8	53																
80WQ40-15-4	28	15	57	4	2900	GAK-80	675	346	140	128	554	750	600	425	500	325	148	Φ255	90
	40	12.3	60																
	48	10	52																
80WQ60-13-4	42	14.5	64	4	2900	GAK-80	675	346	140	128	554	750	600	425	500	325	148	Φ255	130
	60	13	72																
	72	11	70																
80WQ25-7.5	35	27.5	45	7.5	2900	GAK-80	800	368	163	163	611	750	600	505	560	347	186	Φ325	140
	50	25	56																
	60	22.5	61																
100WQ70-7-3	49	9.5	64	3	1450	GAK-100	710	416	210	210	706	900	750	485	680	410	213	Φ420	110
	70	7	75																
	84	5.7	73																
100WQ80-9-4	56	11	55	4	1450	GAK-100	755	416	210	210	706	900	750	505	680	410	213	Φ420	130
	80	9	62																
	96	7	57																

▶ **安装尺寸图** Installation Dimensions Drawing



注: 80WQ50-10-3~80WQ50-25-7.5、(100WQ70-7-3~100WQ80-9-4为括号内尺寸)
Note: 80WQ50-10-3~80WQ50-25-7.5、(100WQ70-7-3~100WQ80-9-4 as the sizes in brackets.)

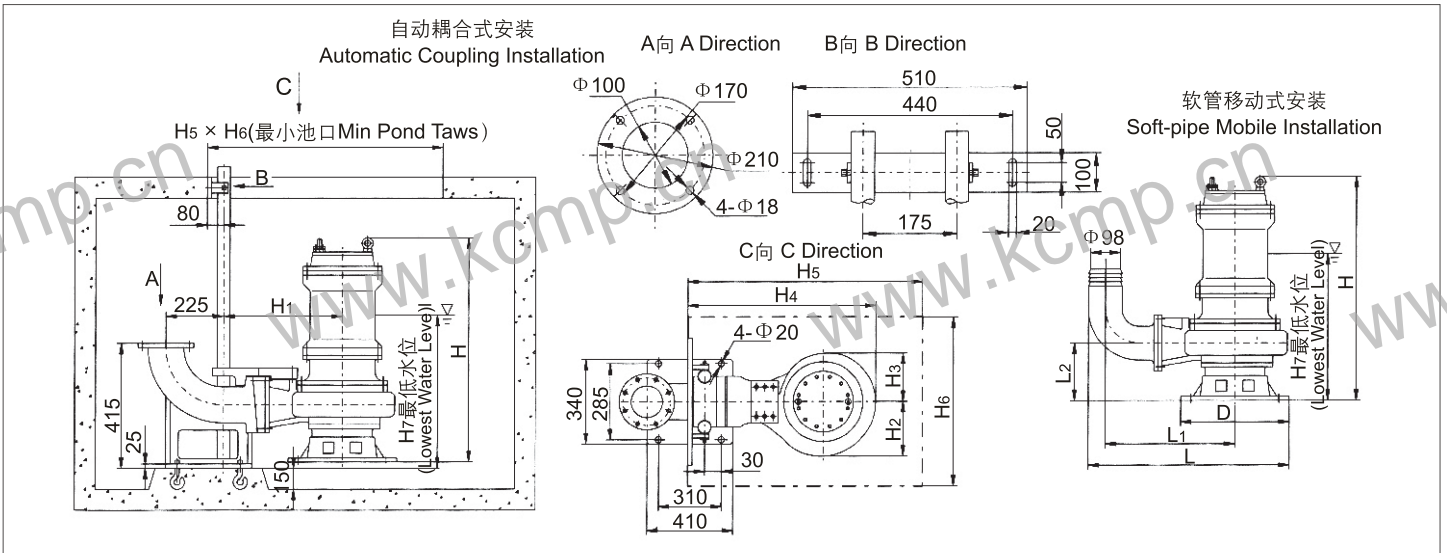
▶ **性能曲线图** Performance Curve



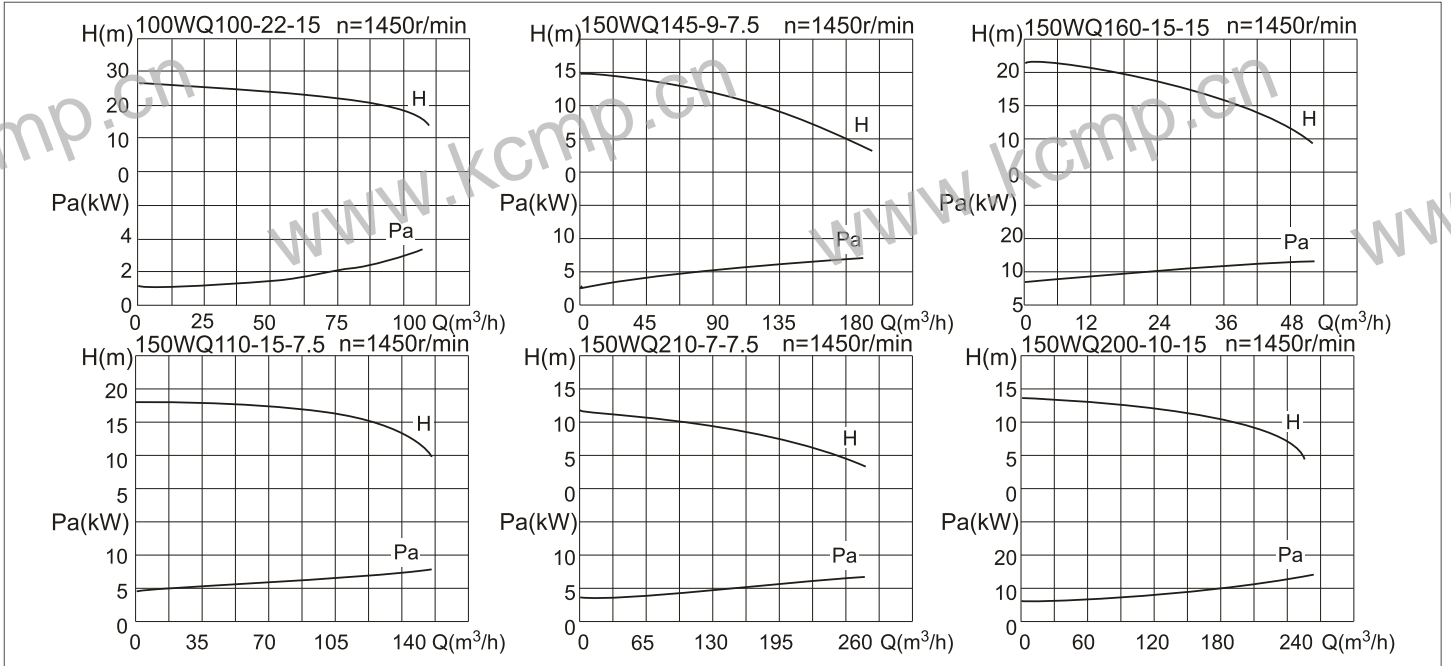
▶ **性能参数及安装尺寸表** Performance Parameters and Installation Dimensions

Type 泵型号	Q (m³/h) 流量	Head (m) 扬程	Efficiency (%) 效率	Power (kw) 电机功率	r/min 转速	耦合器 Coupler 型号Type	H mm	H ₁ mm	H ₂ mm	H ₃ mm	H ₄ mm	H ₅ mm	H ₆ mm	H ₇ mm	L mm	L ₁ mm	L ₂ mm	D mm	Weight kg 泵重量
100WQ100-7-4	70 100 120	9.4 7 5.6	66 75 72	4	1450	GAK-100	755	416	210	210	706	900	750	505	680	410	213	Φ420	110
100WQ65-15-5.5	45.5 65 78	17.5 15 12	51 59 58	5.5	1450	GAK-100	840	426	210	210	726	900	750	545	690	420	220	Φ420	150
100WQ110-10-5.5	77 110 132	11.5 10 7	60 67 65	5.5	1450	GAK-100	840	426	210	210	726	900	750	545	690	420	220	Φ420	150
100WQ80-20-7.5	56 80 96	22.5 20 17	64 71 70	7.5	1450	GAK-100	835	426	210	210	726	900	750	545	690	420	215	Φ420	170
100WQ100-15-7.5	70 100 120	17.5 15 12.5	59 70 68	7.5	1450	GAK-100	835	426	210	210	726	900	750	545	690	420	215	Φ420	165
100WQ87-28-15	60.9 87 104.4	31 28 25.3	59 69 67	15	1450	GAK-100	1015	506	260	260	846	1000	800	670	690	420	215	Φ420	300

▶ **安装尺寸图** Installation Dimensions Drawing



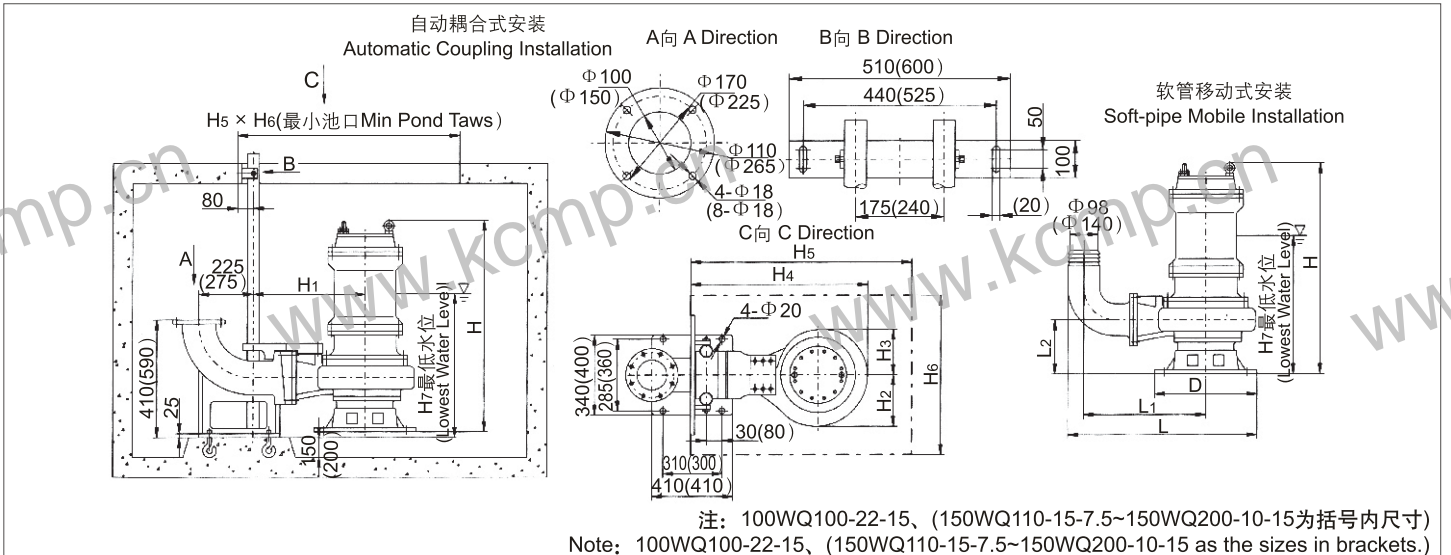
性能曲线图 Performance Curve



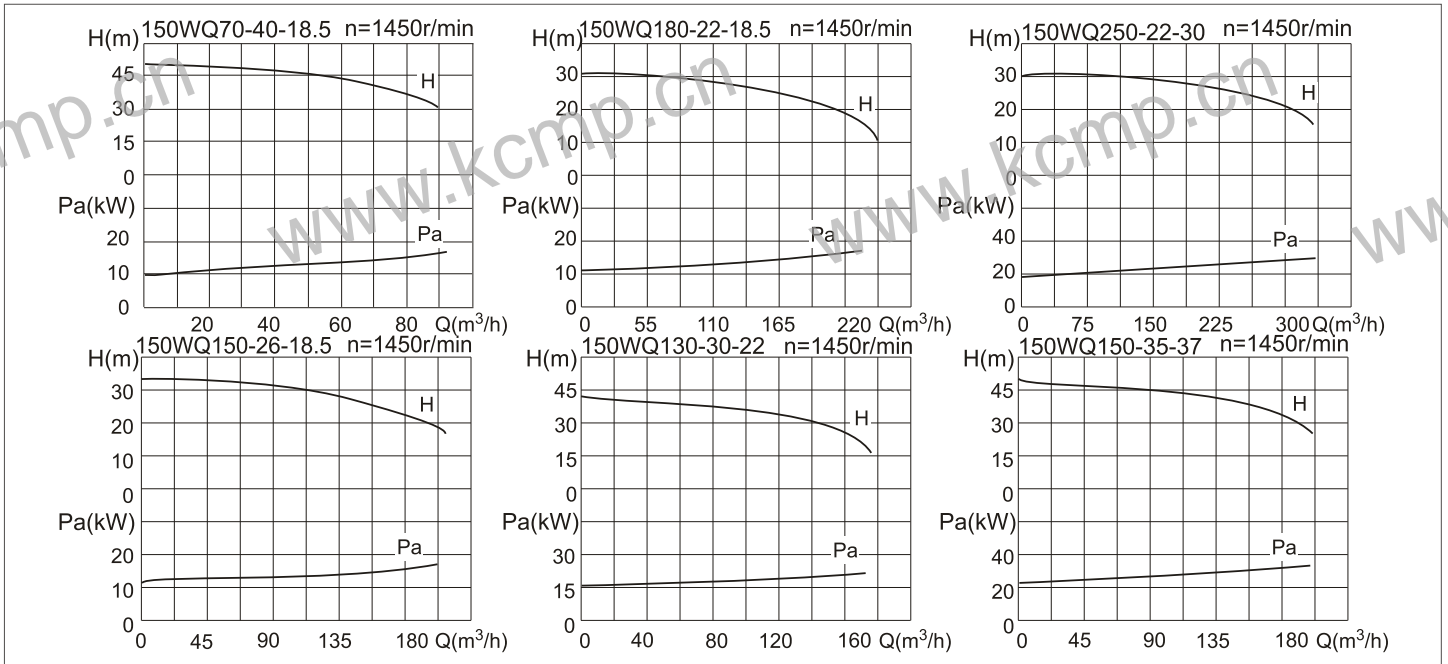
性能参数及安装尺寸表 Performance Parameters and Installation Dimensions

Type 泵型号	Q m³/h 容量 流量	Head (m) 扬程	Efficiency % 效率	Power kw 电机功率	r/min 转速	耦合器 Coupler 型号 type	H	H ₁	H ₂	H ₃	H ₄	H ₅	H ₆	H ₇	L	L ₁	L ₂	D	Weight kg 泵重量
100WQ100-22-15	70	23.3	49	15	1450	GAK-100	1015	506	260	260	845	1000	800	670	690	420	215	Φ420	280
	100	22	61																
	120	20.5	63																
150WQ110-15-7.5	77	17.5	64	7.5	1450	GAK-150	855	495	210	210	785	1000	800	565	820	535	235	Φ420	260
	100	15	75																
	132	12.5	72																
150WQ145-9-7.5	101.5	11	57	7.5	1450	GAK-150	855	495	210	210	785	1000	800	565	820	535	235	Φ420	180
	145	9	63																
	174	6.6	64																
150WQ210-7-7.5	147	8.3	72	7.5	1450	GAK-150	855	495	210	210	785	1000	800	565	820	535	235	Φ420	180
	210	7	80																
	252	5.5	78																
150WQ160-15-15	112	18	64	15	1450	GAK-150	985	560	260	260	900	1300	900	650	935	600	269	Φ520	300
	160	15	67																
	192	12.6	66																
150WQ200-10-15	140	11.5	56	15	1450	GAK-150	985	560	260	260	900	1300	900	650	935	600	269	Φ520	300
	200	10	64																
	240	7	62																

安装尺寸图 Installation Dimensions Drawing



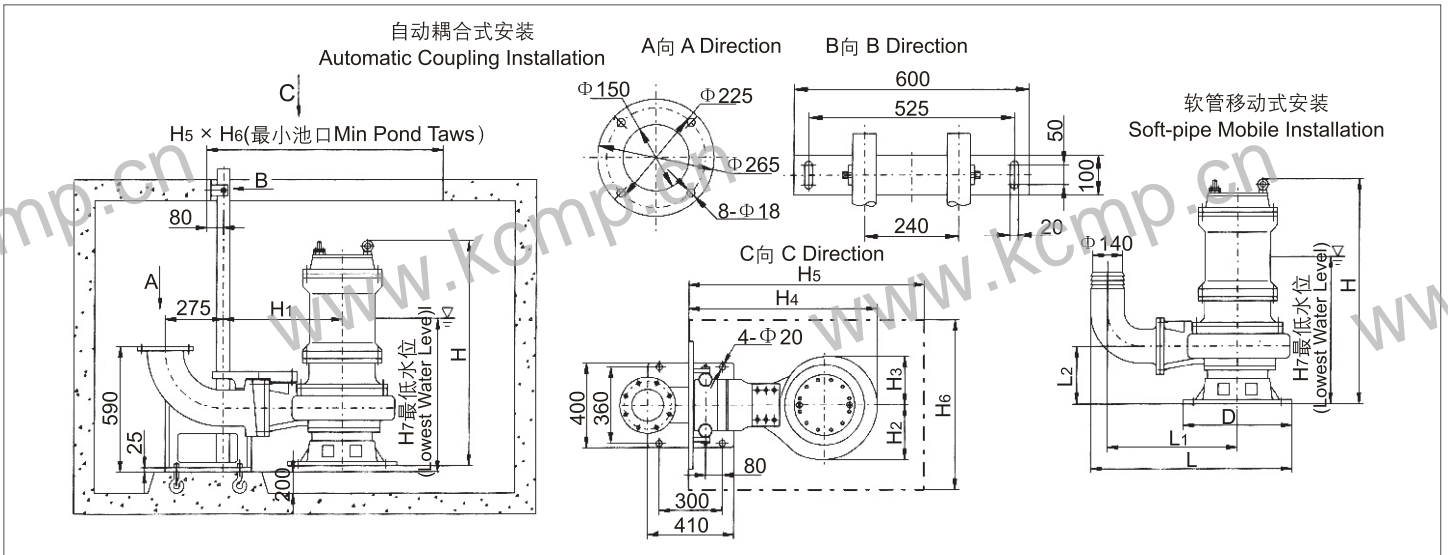
性能曲线图 Performance Curve



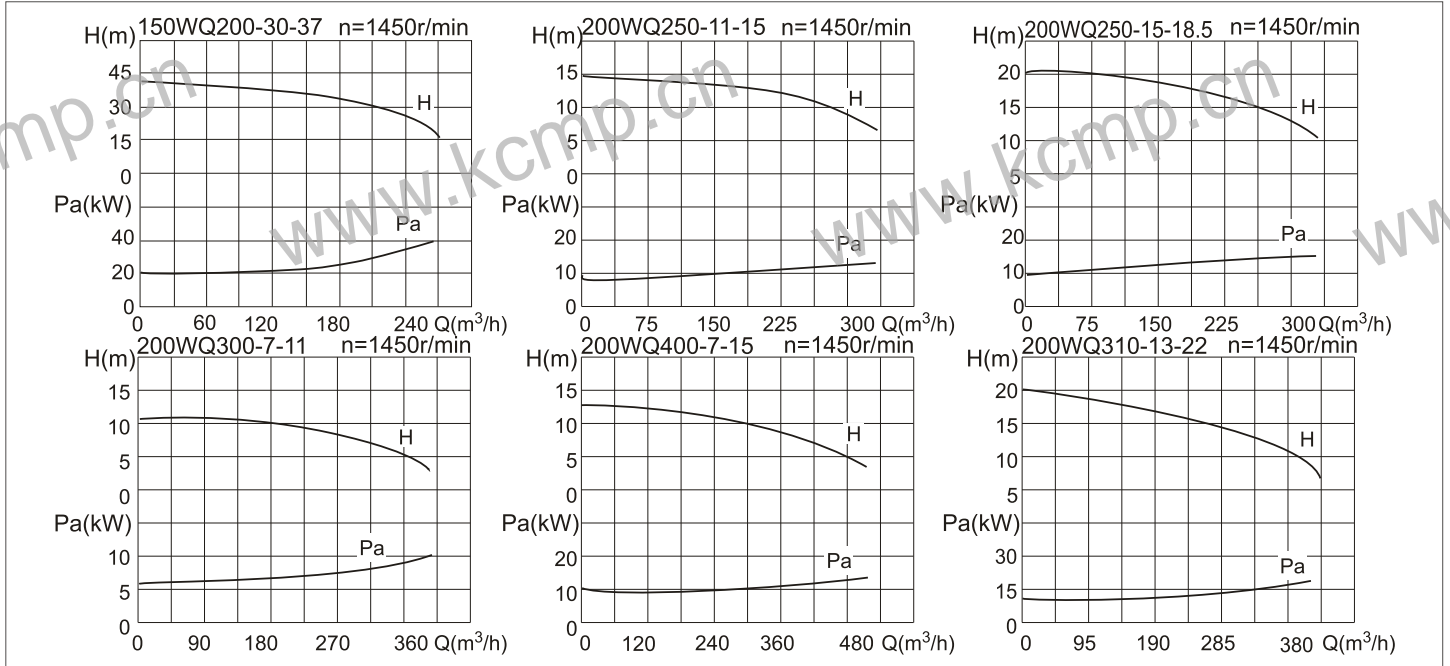
性能参数及安装尺寸表 Performance Parameters and Installation Dimensions

Type 泵型号	Q Capacity 流量	Head (m) 扬程	Efficiency % 效率	Power kw 电机功率	r/min 转速	耦合器 Coupler 型号Type	H	H ₁	H ₂	H ₃	H ₄	H ₅	H ₆	H ₇	L	L ₁	L ₂	D	Weight kg 泵重量
150WQ70-40-18.5	49	44.5	46	18.5	1450	GAK-150	1075	565	182	182	827	1000	800	705	865	605	281	Φ364	520
	70	40	54																
150WQ150-26-18.5	105	28.5	60	18.5	1450	GAK-150	1075	565	182	182	827	1000	800	705	865	605	281	Φ364	400
	150	26	72																
	180	23.7	70																
150WQ180-22-18.5	126	25	60	18.5	1450	GAK-150	1075	565	182	182	827	1000	800	705	865	605	281	Φ364	400
	180	22	74																
	216	17	72																
150WQ130-30-22	91	35	63	22	1450	GAK-150	1330	565	260	260	905	1300	900	710	940	605	285	Φ520	420
	130	30	69																
	156	24	63																
150WQ250-22-30	175	23.5	64.7	30	1450	GAK-150	1330	613	315	315	1008	1500	1000	910	1045	653	427	Φ630	820
	250	22	73.5																
	300	19.8	71																
150WQ150-35-37	105	40	57	37	1450	GAK-150	1500	613	315	315	1008	1500	1000	1035	1045	653	427	Φ630	760
	150	35	63																
	180	30	64																

安装尺寸图 Installation Dimensions Drawing



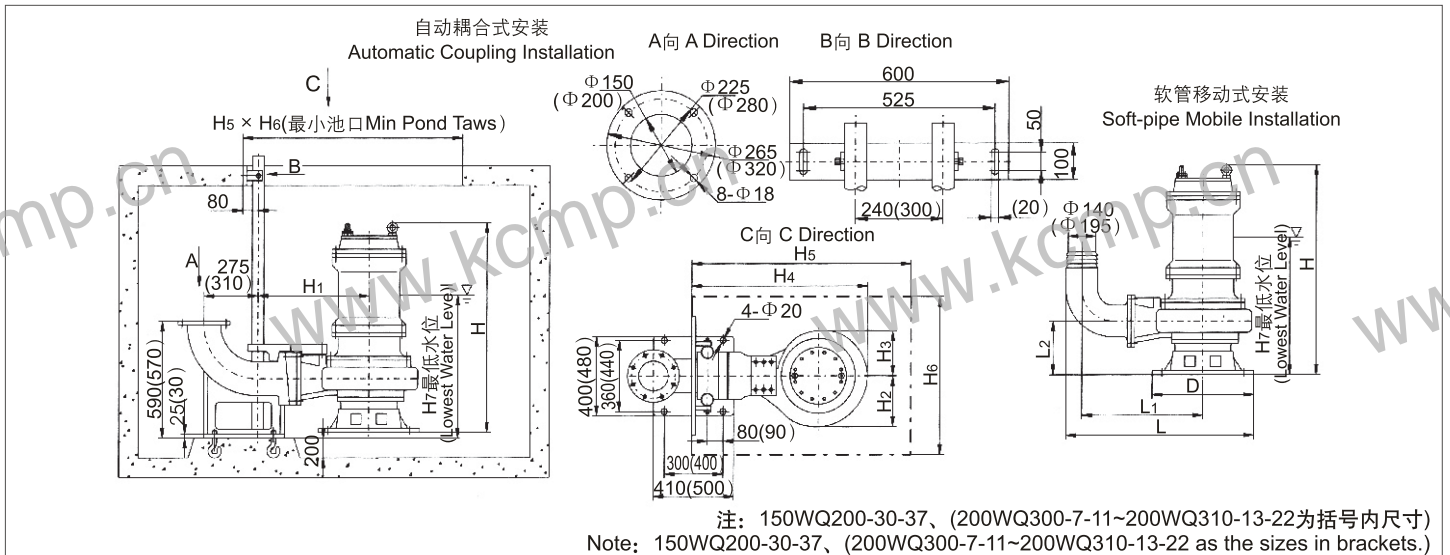
▶ **性能曲线图** Performance Curve



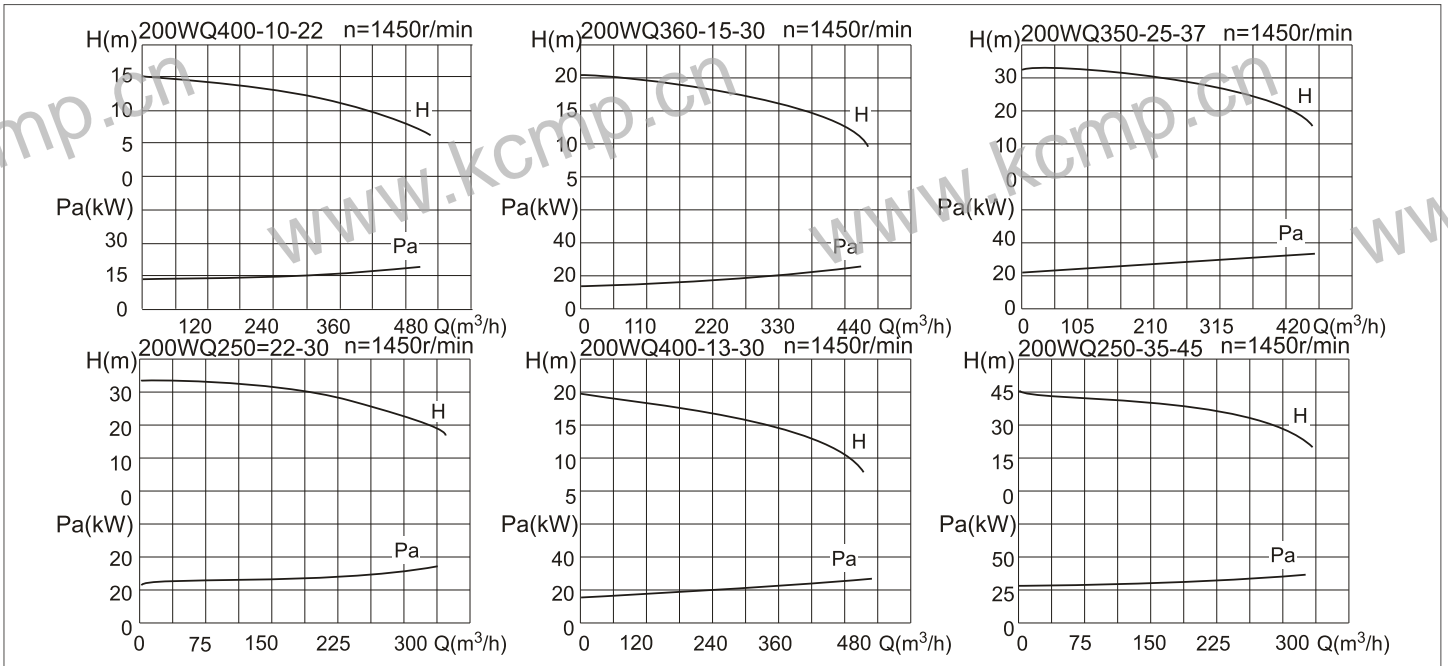
▶ **性能参数及安装尺寸表** Performance Parameters and Installation Dimensions

Type 泵型号	Q Capacity 流量	Head (m) 扬程	Efficiency % 效率	Power kw 电机功率	r/min 转速	耦合器 Coupler 型号 Type	H	H ₁	H ₂	H ₃	H ₄	H ₅	H ₆	H ₇	L	L ₁	L ₂	D	Weight kg 泵重量
150WQ200-30-37	140	35	60	37	1450	GAK-150	1500	613	315	315	1008	1500	1000	1035	1045	653	427	Φ630	750
	200	30	65																
	240	24	62																
200WQ300-7-11	210	8.2	68	11	1450	GAK-200	1005	553	260	260	893	1300	900	660	905	537	258	Φ520	370
	300	7	75																
	360	5.9	72																
200WQ250-11-15	175	13.2	68	15	1450	GAK-200	1005	553	260	260	893	1300	900	660	905	537	258	Φ520	350
	250	11	73																
	300	9	68																
200WQ400-7-15	280	9	68	15	1450	GAK-200	1040	636	328	275	1016	1500	1000	680	1025	620	275	Φ550	300
	400	7	70																
	480	5.5	63																
200WQ250-15-18.5	175	17.7	60	18.5	1450	GAK-200	1070	716	258	258	1054	1500	1000	700	1065	700	265	Φ515	420
	250	15	72																
	300	13	71																
200WQ310-13-22	317	16	64	22.5	1450	GAK-200	1070	716	258	258	1054	1500	1000	700	1065	700	265	Φ515	450
	310	13	71																
	372	11	67																

▶ **安装尺寸图** Installation Dimensions Drawing



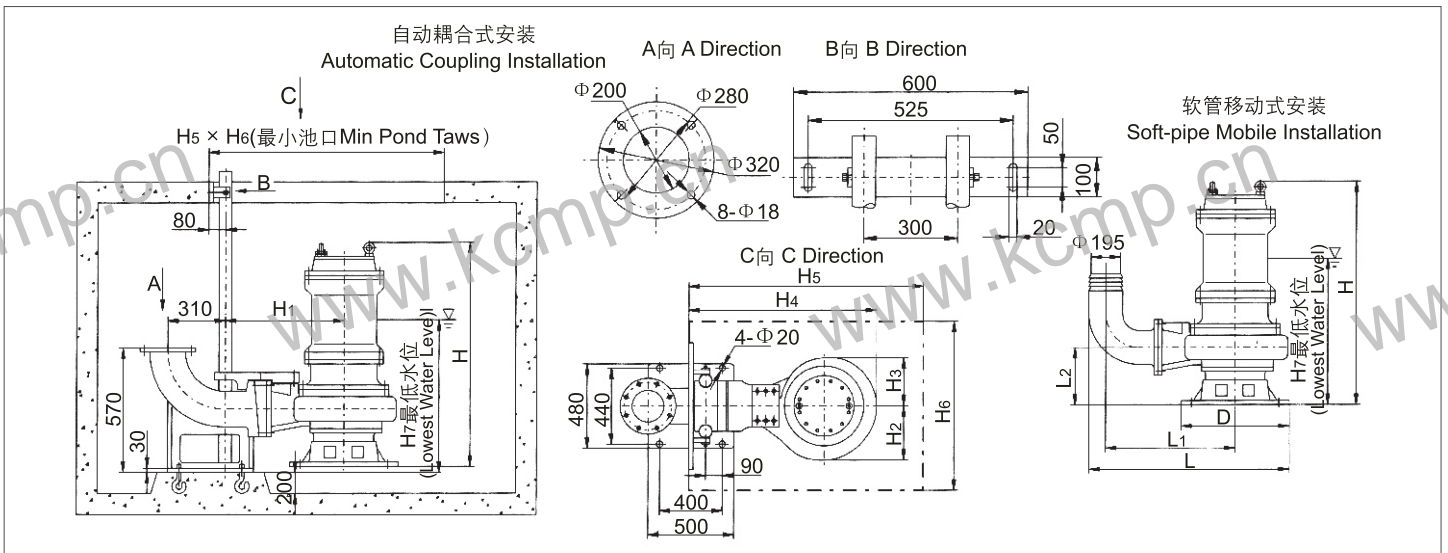
▶ **性能曲线图** Performance Curve



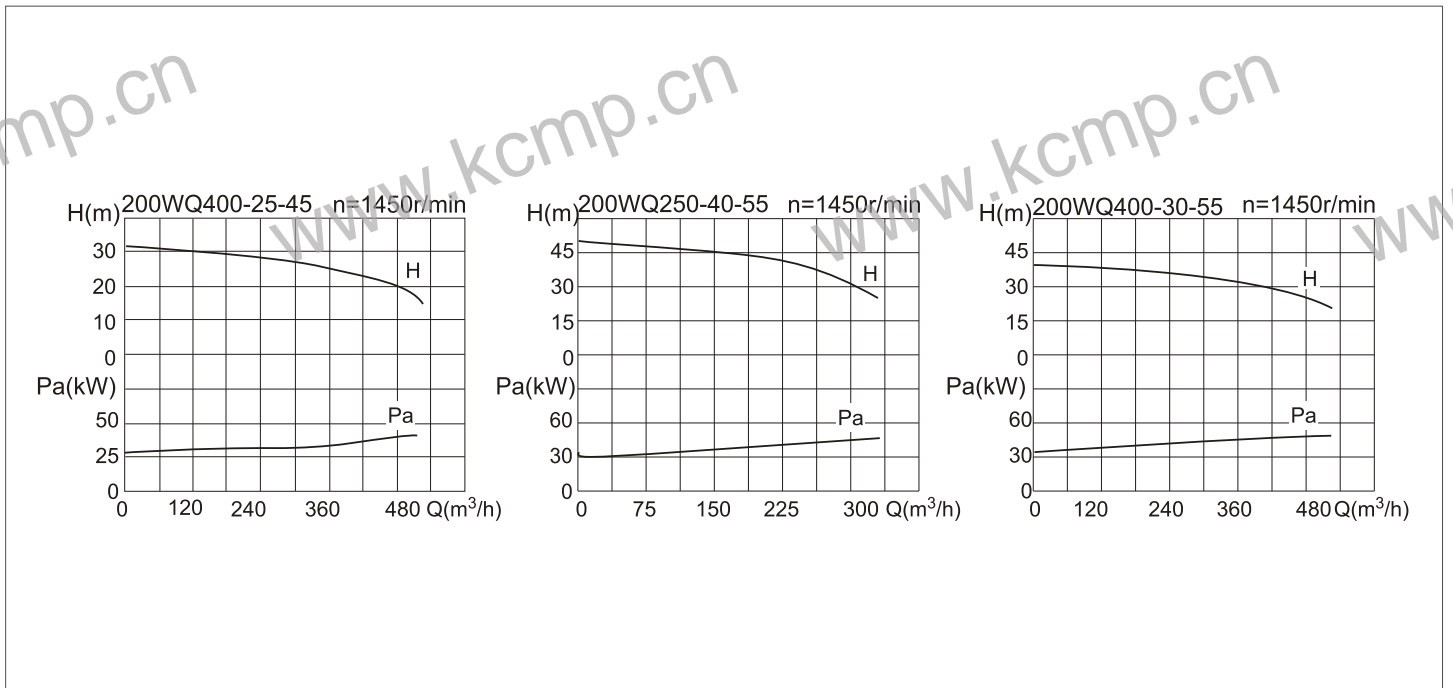
▶ **性能参数及安装尺寸表** Performance Parameters and Installation Dimensions

Type 泵型号	Q (m³/h) 流量	Head (m) 扬程	Efficiency (%) 效率	Power (kW) 电机功率	Speed (r/min) 转速	Coupler 型号 Type	H	H ₁	H ₂	H ₃	H ₄	H ₅	H ₆	H ₇	L	L ₁	L ₂	D	Weight (kg) 泵重量
200WQ400-10-22	280	12.6	68	22	1450	GAK-200	1070	716	258	258	1054	1500	1000	705	1065	700	265	Φ515	450
	400	10	75																
	480	8	69																
200WQ250-22-30	175	24.8	62	30	1450	GAK-200	1120	716	258	258	1054	1500	1000	730	1065	700	265	Φ515	720
	250	22	71																
	300	19.5	72																
200WQ360-15-30	250	17.5	65	30	1450	GAK-200	1120	716	258	258	1054	1500	1000	730	1065	700	265	Φ515	820
	360	15	78																
	432	12.6	75																
200WQ400-13-30	280	16	69	30	1450	GAK-200	1120	716	258	258	1054	1500	1000	730	1065	700	265	Φ515	650
	400	13	76																
	480	11	72																
200WQ350-25-37	245	27.8	63	37	1450	GAK-200	1490	706	315	315	1101	1500	1000	950	1110	690	407	Φ630	850
	350	25	73																
	420	122.7	76																
200WQ250-35-45	175	41	59	45	1450	GAK-200	1490	706	315	315	1101	1500	1000	950	1110	690	407	Φ630	950
	250	35	69																
	300	29.5	69																

▶ **安装尺寸图** Installation Dimensions Drawing



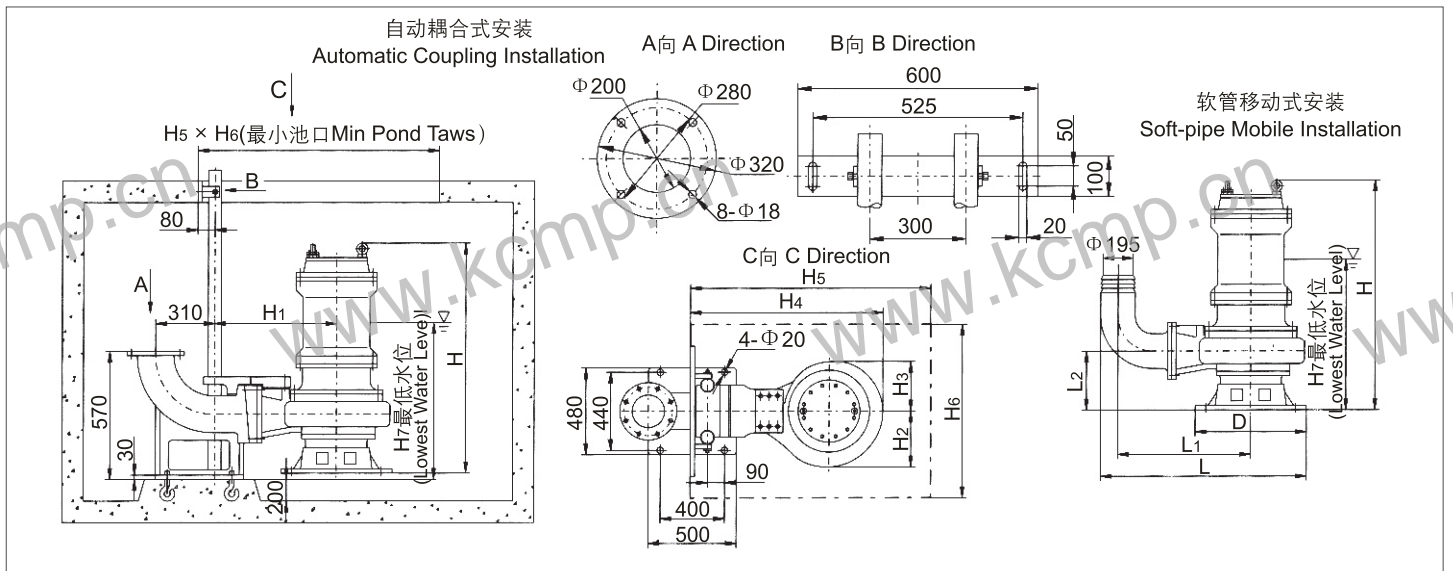
▶ **性能曲线图** Performance Curve



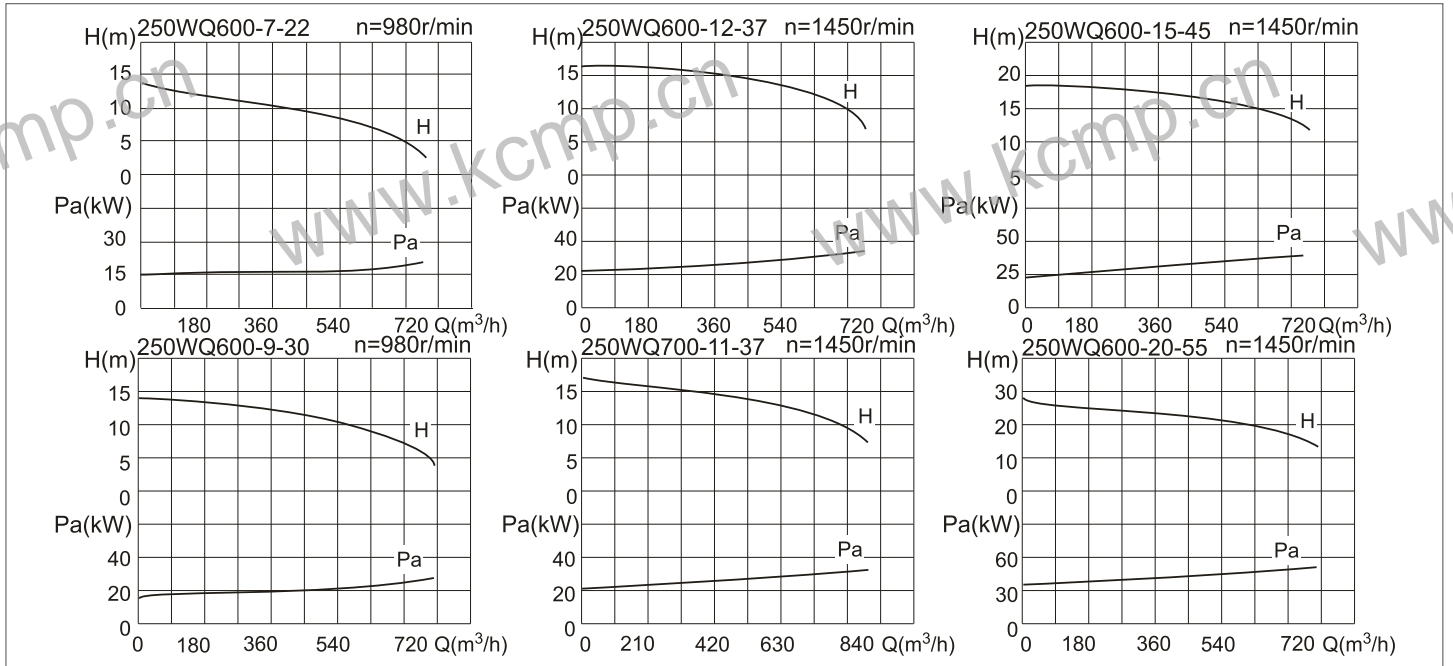
▶ **性能参数及安装尺寸表** Performance Parameters and Installation Dimensions

Type 泵型号	Q (m³/h) 流量	Head (m) 扬程	Efficiency (%) 效率	Power (kw) 电机功率	Speed (r/min) 转速	Coupler 型号Type	H	H ₁	H ₂	H ₃	H ₄	H ₅	H ₆	H ₇	L	L ₁	L ₂	D	Weight (kg) 泵重量
200WQ400-25-45	280	28	67	45	1450	GAK-200	1490	706	258	315	1101	1500	1000	950	1110	690	407	Φ630	1280
	400	25	77.5																
	480	22	75																
200WQ250-40-55	175	44.5	58	55	1450	GAK-200	1465	706	258	320	1106	1500	1000	950	1115	690	325	Φ640	1380
	250	40	71																
	300	35.7	70																
200WQ400-30-55	280	35	59	55	1450	GAK-200	1465	706	258	320	1106	1500	1000	950	1115	690	325	Φ640	1300
	400	30	72																
	480	27	75																

▶ **安装尺寸图** Installation Dimensions Drawing



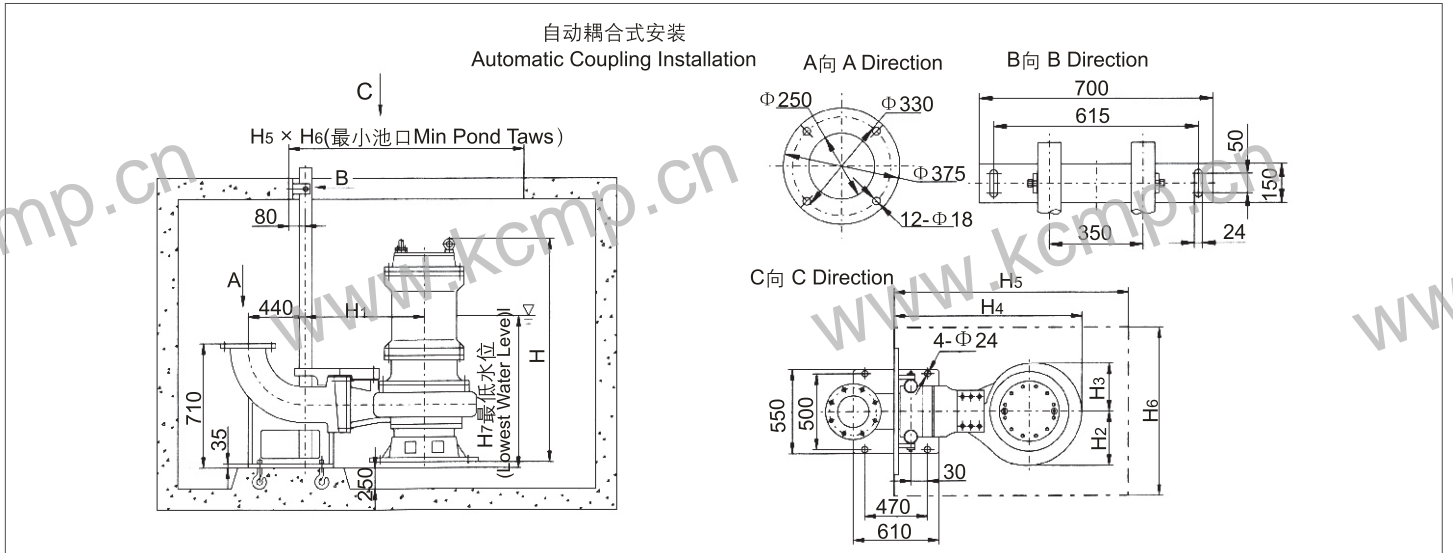
▶ **性能曲线图** Performance Curve



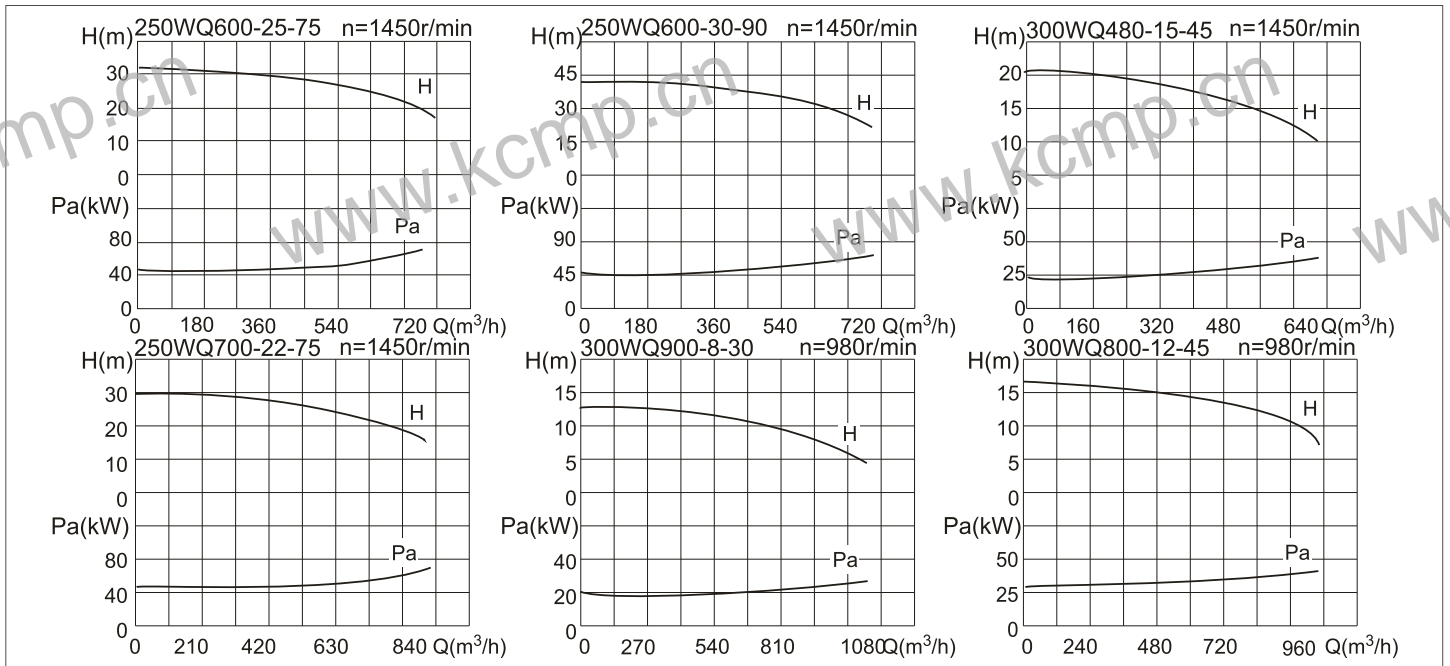
▶ **性能参数及安装尺寸表** Performance Parameters and Installation Dimensions

Type 泵型号	Q Capacity 流量	Head (m) 扬程	Efficiency 效率	Power kw 电机功率	r/min speed 转速	耦合器 Coupler 型号 type	H	H ₁	H ₂	H ₃	H ₄	H ₅	H ₆	H ₇	Weight kg 泵重量
250WQ600-7-22	420	9	68	22	980	GAK-250	1360	670	337	315	1065	1500	1000	950	800
	600	7	72												
	720	5.5	68												
250WQ600-9-30	420	10.5	70	30	980	GAK-250	1530	670	336	315	1065	1500	1000	950	850
	600	9	78												
	720	7	75												
250WQ600-12-37	420	14	66	37	1450	GAK-250	1530	670	336	315	1065	1500	1000	950	850
	600	12	76												
	720	10	71												
250WQ700-11-37	490	13	72	37	1450	GAK-250	1530	670	336	315	1065	1500	1000	950	1150
	700	11	83												
	840	9	81												
250WQ600-15-45	420	17.5	64	45	1450	GAK-250	1530	670	336	315	1065	1500	1000	950	1500
	600	15	73												
	720	13	67												
250WQ600-20-55	420	22.5	64	55	1450	GAK-250	1600	710	350	315	1110	1500	1000	950	1550
	600	20	73												
	720	17	67												

▶ **安装尺寸图** Installation Dimensions Drawing



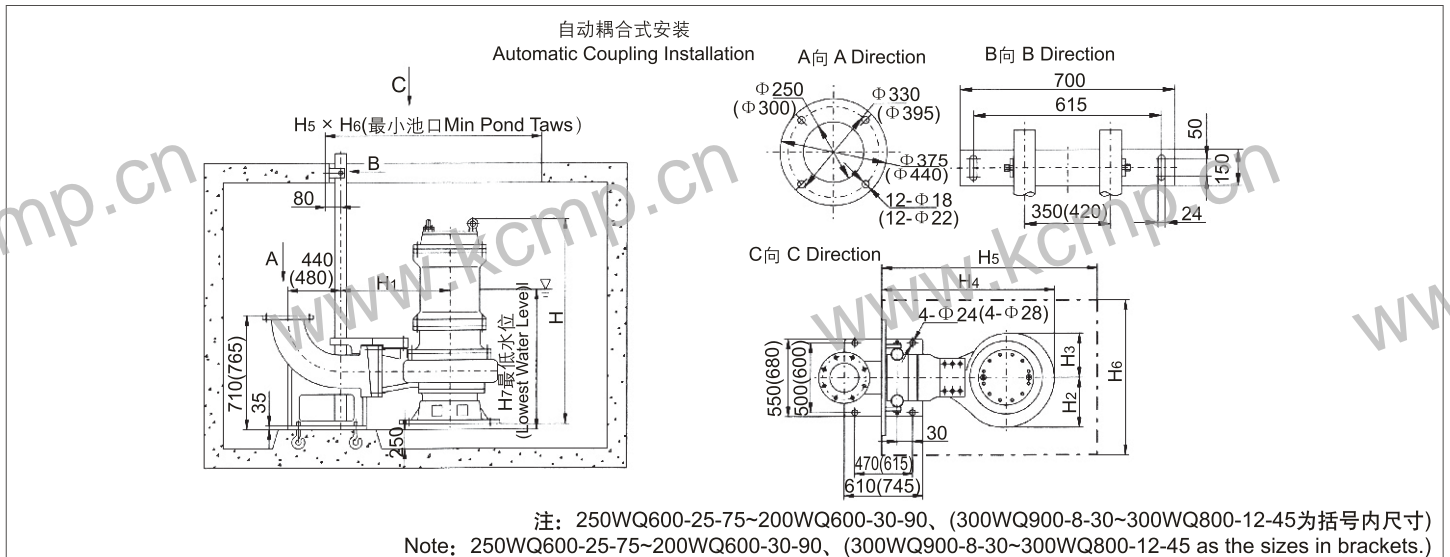
▶ **性能曲线图** Performance Curve



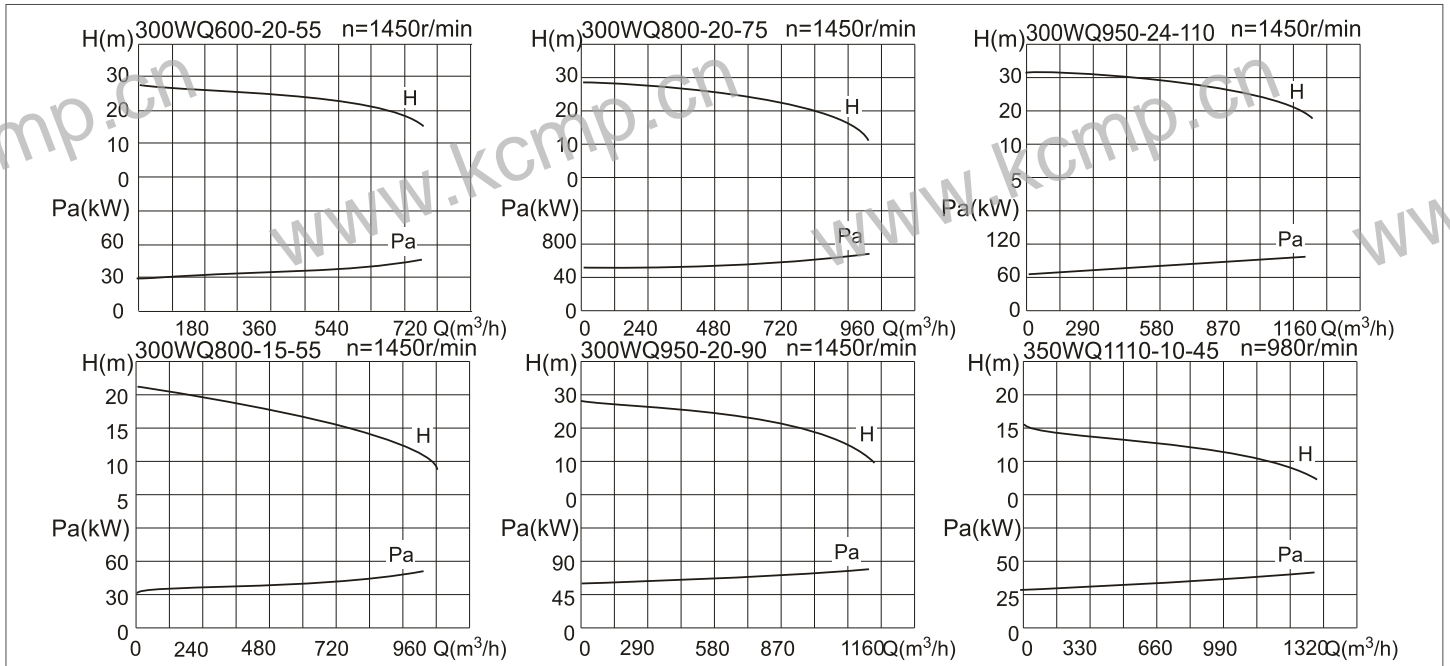
▶ **性能参数及安装尺寸表** Performance Parameters and Installation Dimensions

Type 泵型号	Q Capacity 流量	Head (m) 扬程	Efficiency % 效率	Power kw 电机功率	r/min 转速	耦合器 Coupler 型号Type	H mm	H ₁ mm	H ₂ mm	H ₃ mm	H ₄ mm	H ₅ mm	H ₆ mm	H ₇ mm	Weight kg 泵重量
250WQ600-25-75	420	27.5	63	75	1450	GAK-250	1700	710	350	325	1150	1600	1200	950	1500
	600	25	71												
	720	21	67												
250WQ700-22-75	490	25	69	75	1450	GAK-250	1700	710	350	325	1150	1600	1200	950	1750
	700	22	81												
	840	19	79												
250WQ600-30-90	420	35	67	90	1450	GAK-250	1835	710	390	325	1150	1600	1200	950	2000
	600	30	78												
	720	27	76												
300WQ900-8-30	630	10	75	30	1565	GAK-300	1565	800	385	315	1200	1600	1200	950	1150
	900	8	84.5												
	1080	6.7	81												
300WQ480-15-45	336	17.5	66	45	1565	GAK-300	1565	800	385	315	1200	1600	1200	950	1500
	480	15	76												
	620	13	74												
300WQ800-12-45	560	14	66	45	1725	GAK-300	1725	905	405	370	1355	1800	1400	950	1550
	800	12	74												
	960	10	71												

▶ **安装尺寸图** Installation Dimensions Drawing



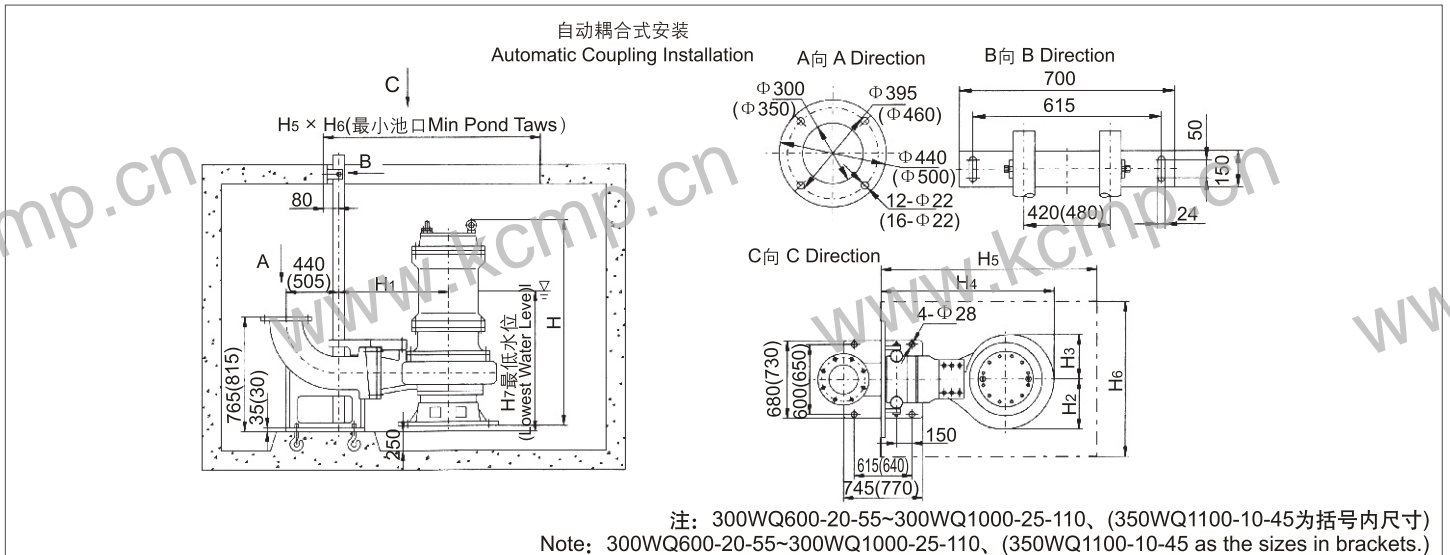
▶ **性能曲线图** Performance Curve



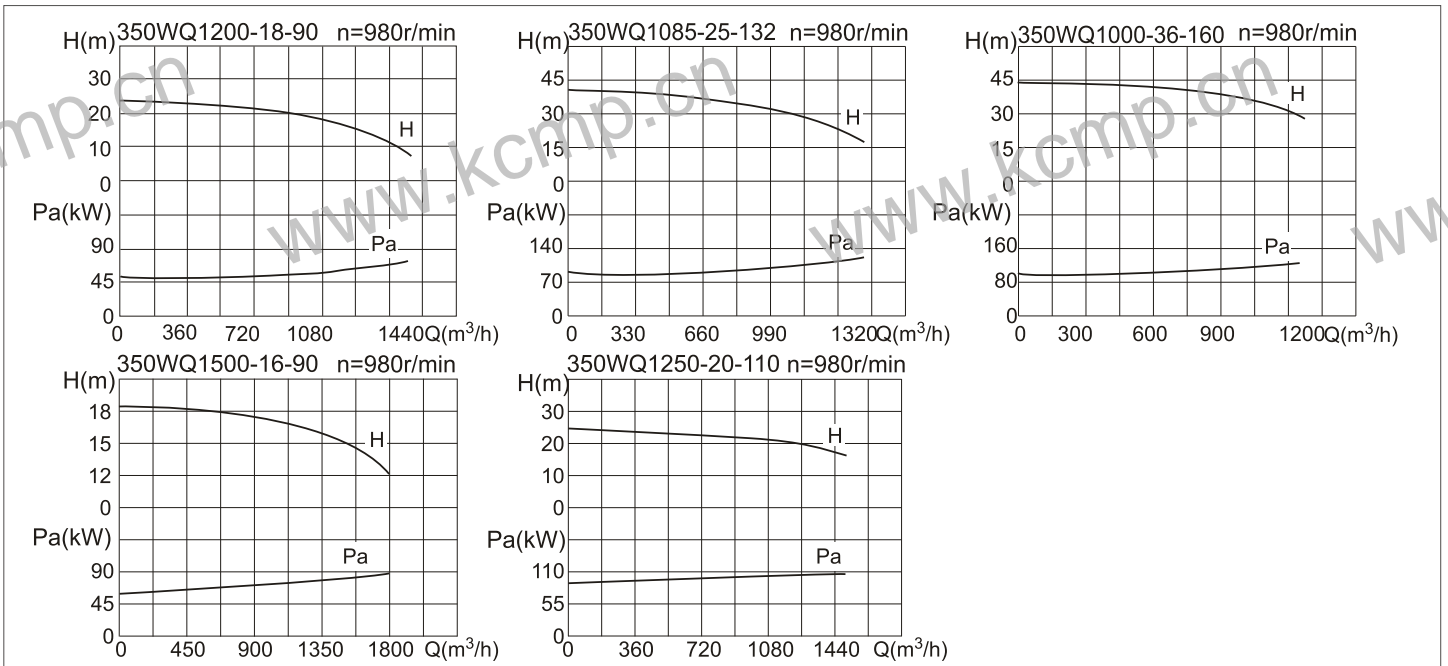
▶ **性能参数及安装尺寸表** Performance Parameters and Installation Dimensions

Type 泵型号	Q (m³/h) 流量	Head (m) 扬程	Efficiency (%) 效率	Power (kw) 电机功率	Speed (r/min) 转速	Coupler Coupler 型号Type	H mm	H ₁ mm	H ₂ mm	H ₃ mm	H ₄ mm	H ₅ mm	H ₆ mm	H ₇ mm	Weight kg 泵重量
300WQ600-20-55	420	22.5	63	55	1450	GAK-250	1615	800	385	315	1200	1600	1200	950	1300
	600	20	73												
	720	17	70												
300WQ800-15-55	560	17.5	72	55	1450	GAK-250	1615	800	385	315	1200	1200	1200	950	1380
	800	15	83												
	960	13	81												
300WQ800-20-75	560	22.5	67	75	1450	GAK-250	1725	905	405	370	1355	1400	1400	950	1600
	800	20	75												
	960	17	73												
300WQ950-20-90	665	22.5	68	90	1450	GAK-300	1725	905	405	370	1355	1400	1400	950	1700
	950	20	76												
	1140	17	75												
300WQ1000-25-110	700	27	68	110	1450	GAK-300	2100	905	405	370	1355	1400	1400	950	2000
	1000	25	76												
	1140	21	75												
350WQ1110-10-45	770	11.5	74	45	980	GAK-350	1870	910	410	380	1400	1800	1400	950	1380
	1100	10	85												
	1320	8	82												

▶ **安装尺寸图** Installation Dimensions Drawing



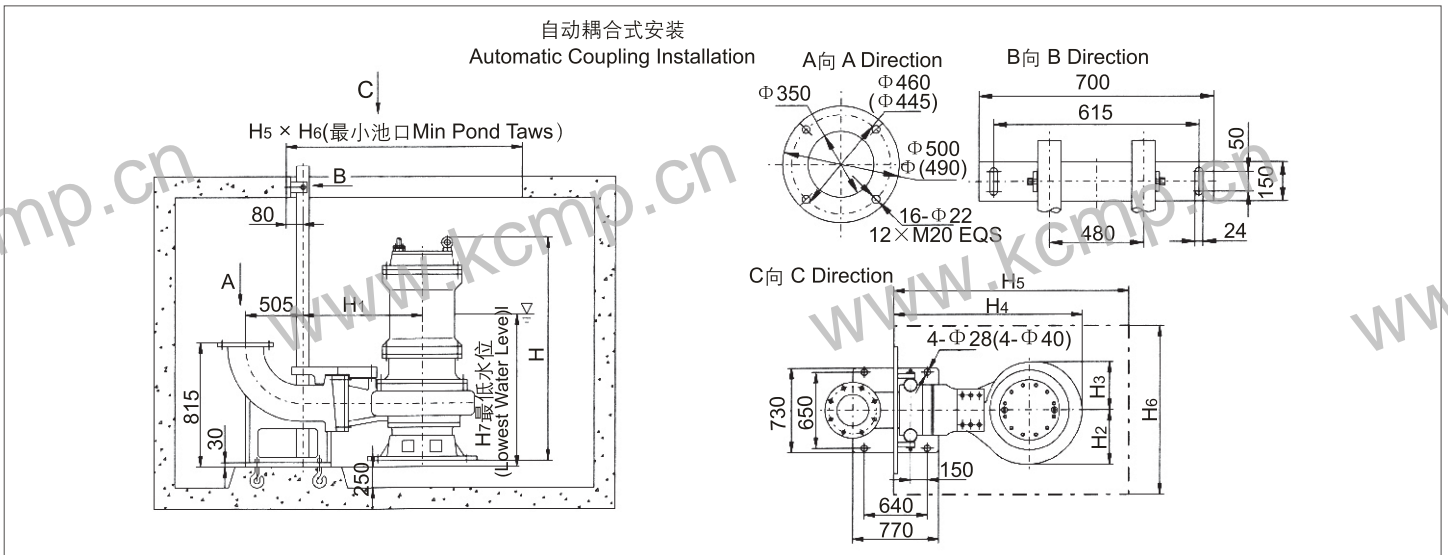
▶ **性能曲线图** Performance Curve



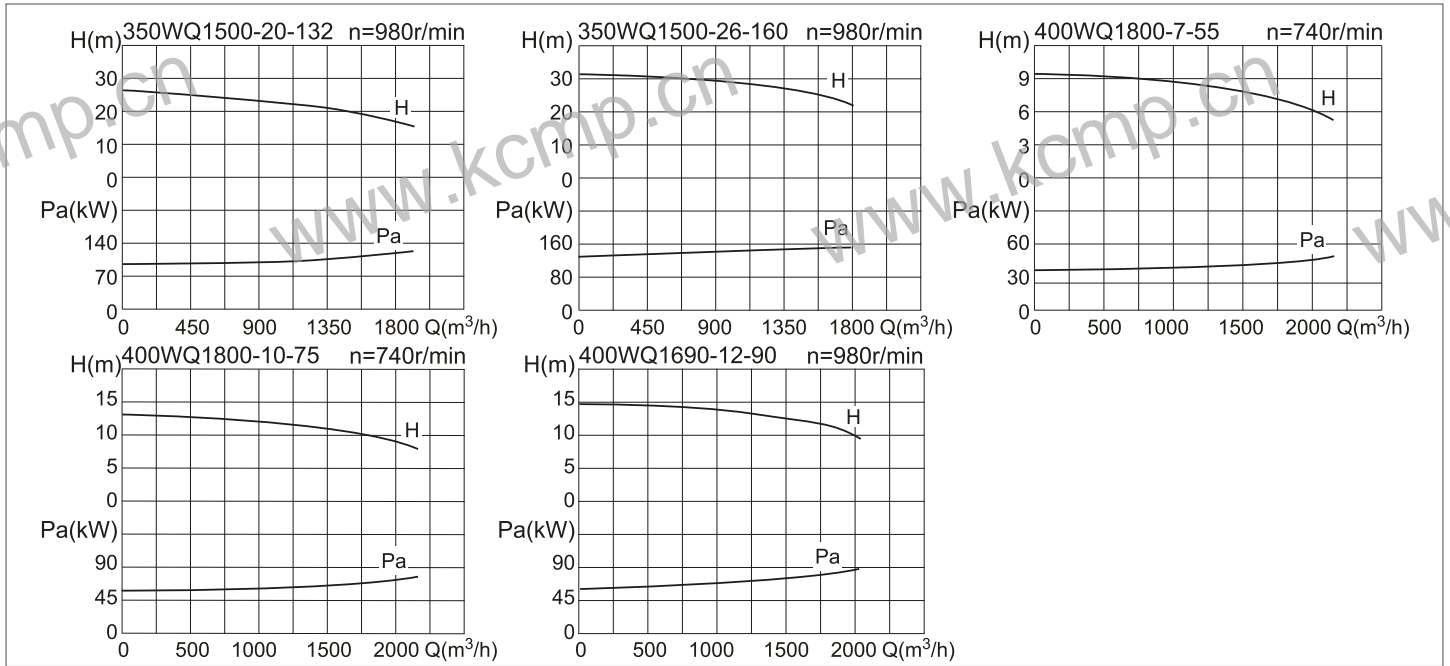
▶ **性能参数及安装尺寸表** Performance Parameters and Installation Dimensions

Type 泵型号	Q (m³/h) 流量	Head (m) 扬程	Efficiency (%) 效率	Power (kW) 电机功率	r/min 转速	耦合器 Coupler 型号 Type	H mm	H ₁ mm	H ₂ mm	H ₃ mm	H ₄ mm	H ₅ mm	H ₆ mm	H ₇ mm	Weight kg 泵重量
350WQ1200-18-90	840 1200 1440	21 18 15	71 82.5 80	90	980	GAK-350	1900	920	410	380	1400	1800	1400	950	
350WQ1085-25-132	760 1085 1302	31.5 28 25	74 83 81	132	980	GAK-350	3200	950	450	390	1500	1900	1500	950	
350WQ1000-36-160	700 1000 1200	40 36 31	68 79 71	160	980	GAK-350	2400	950	450	390	1500	1900	1500	950	
350WQ1500-16-90	1050 1500 1800	17 16 12	72 83 80.5	90	980	GAK-350	1805	950	505	400	1520	1800	1400	1300	
350WQ1250-20-110	875 1250 1500	22.5 20 16	68 78 73	110	980	GAK-350	1805	950	505	400	1520	1800	1400	1300	

▶ **安装尺寸图** Installation Dimensions Drawing



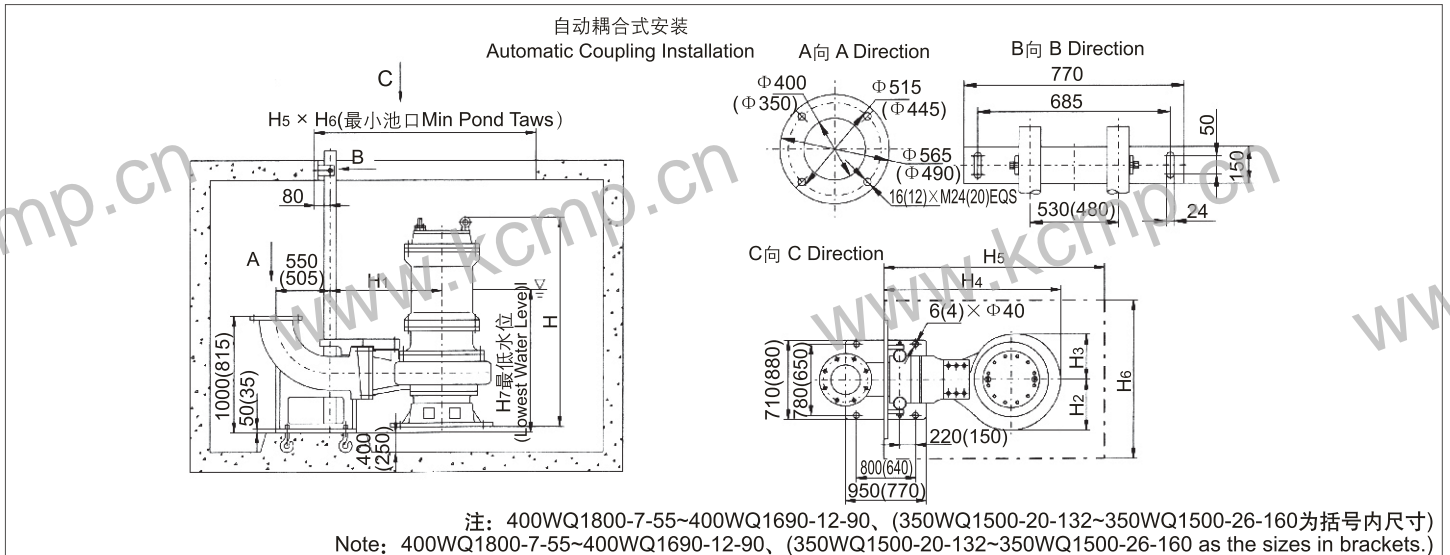
▶ **性能曲线图** Performance Curve



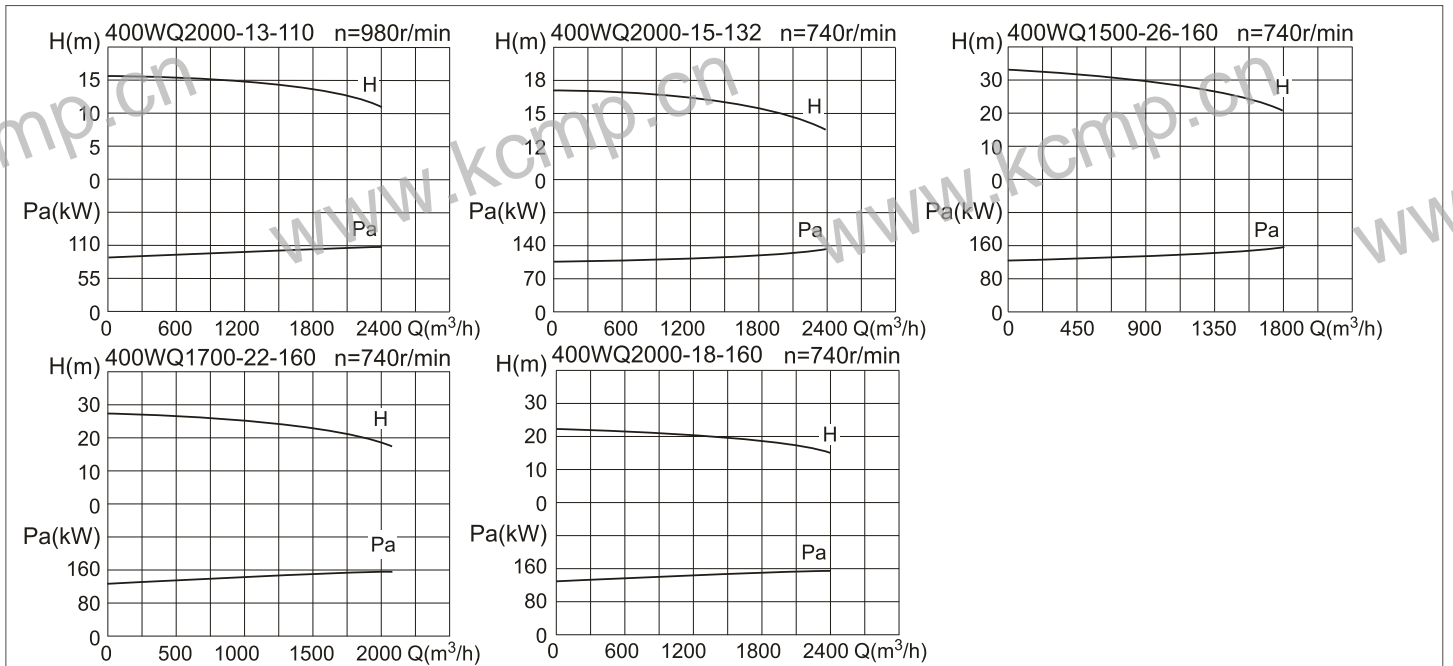
▶ **性能参数及安装尺寸表** Performance Parameters and Installation Dimensions

Type 泵型号	Q Capacity 流量	Head (m) 扬程	Efficiency % 效率	Power kw 电机功率	r/min 转速	耦合器 Coupler 型号Type	H mm	H ₁ mm	H ₂ mm	H ₃ mm	H ₄ mm	H ₅ mm	H ₆ mm	H ₇ mm	Weight kg 泵重量
350WQ1500-20-132	1050 1500 1800	22.5 20 17	73 82 80	132	980	GAK-350	1825	950	505	400	1520	1800	1400	1300	
350WQ1500-26-160	1050 1500 1800	23.5 26 22	74 83 81	160	980	GAK-350	2400	1020	550	450	1600	1900	1500	1500	
400WQ1800-7-55	1260 1800 2160	8.5 7 5.5	74 85 74	55	740	GAK-400	2200	1105	580	410	1760	2000	1650	1450	
400WQ1800-10-75	1260 1800 2160	11.5 10 8	74 85 76	75	740	GAK-400	2200	1105	580	410	1760	2000	1650	1450	
400WQ1690-12-90	1183 1690 2028	13.5 12 9.5	72 85 72	90	980	GAK-400	2200	1105	580	410	1760	2000	1650	1450	

▶ **安装尺寸图** Installation Dimensions Drawing



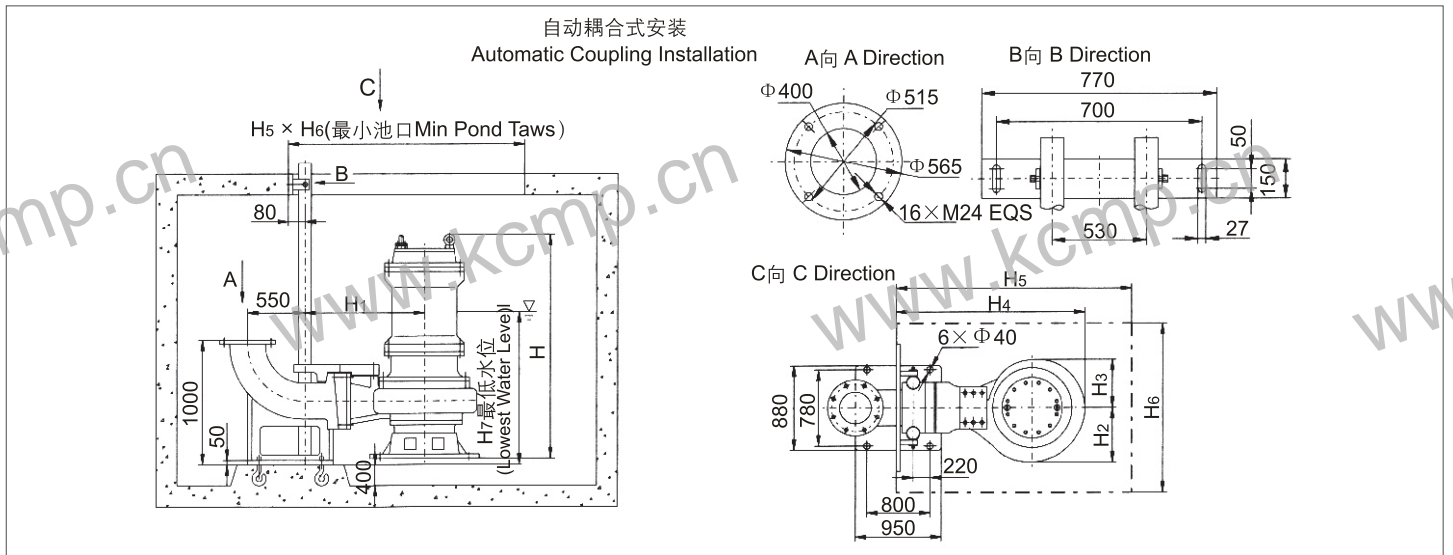
性能曲线图 Performance Curve



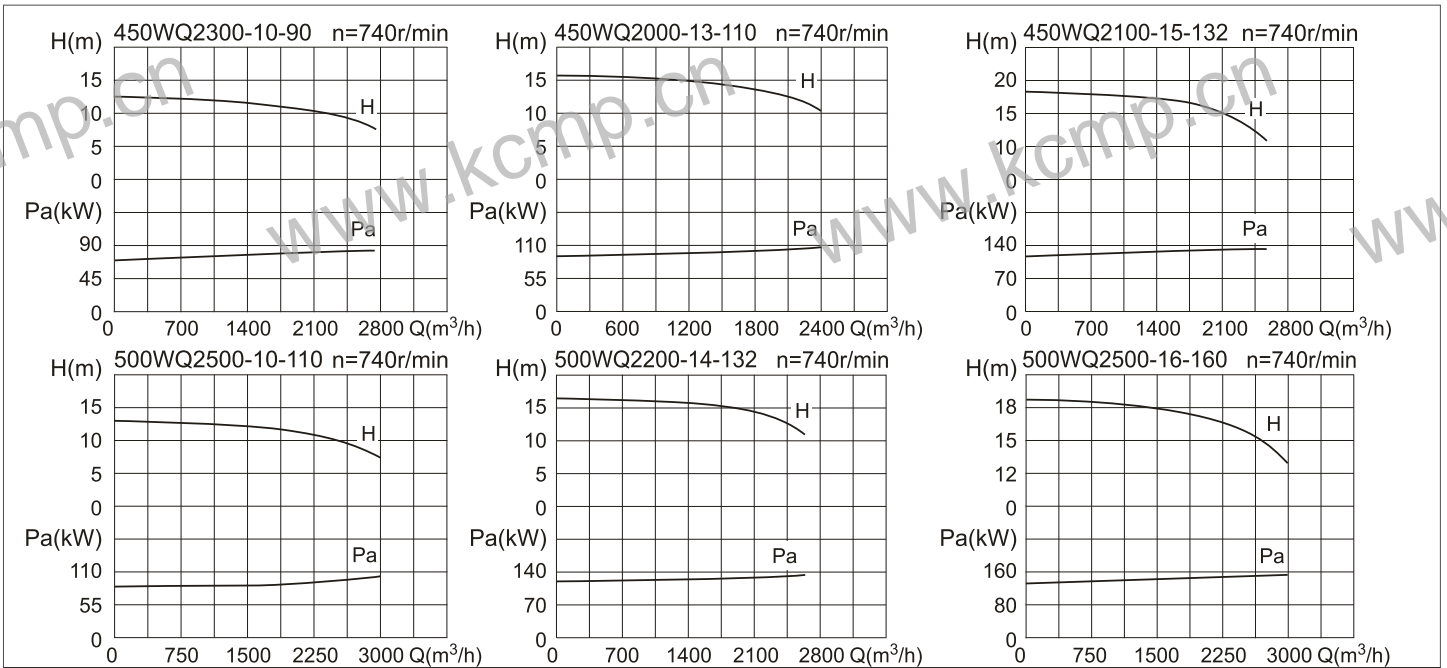
性能参数及安装尺寸表 Performance Parameters and Installation Dimensions

Type 泵型号	Q (m³/h) 流量	Head (m) 扬程	Efficiency (%) 效率	Power (kW) 电机功率	r/min 转速	耦合器 Coupler 型号Type	H mm	H ₁ mm	H ₂ mm	H ₃ mm	H ₄ mm	H ₅ mm	H ₆ mm	H ₇ mm	Weight kg 泵重量
400WQ2000-13-110	1400 2000 2400	14.5 13 11	78 85 80	110	980	GAK-400	2200	1105	580	410	1760	2000	1650	1450	
400WQ2000-15-132	1400 2000 2400	16.5 15 13.2	78 85 80	132	740	GAK-400	2500	1255	750	580	2020	2500	2000	1580	
400WQ1500-26-160	1050 1500 1800	28.6 26 21.7	75 83 80.5	160	740	GAK-400	2500	1255	750	580	2020	2500	2000	1580	
400WQ1700-22-160	1190 1700 2040	24.3 22 18.5	75 84 81	160	740	GAK-400	2500	1255	750	580	2020	2500	2000	1580	
400WQ2000-18-160	1400 2000 2400	20 18 14.5	74 85 78	160	740	GAK-400	2500	1255	750	580	2020	2500	2000	1580	

安装尺寸图 Installation Dimensions Drawing



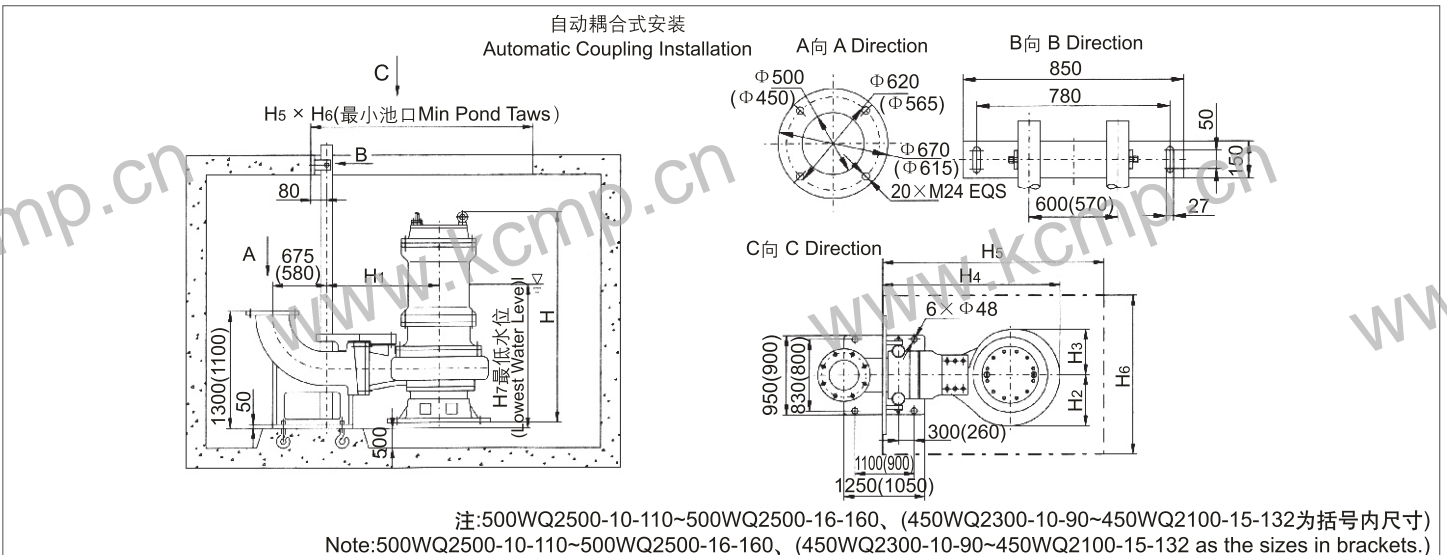
▶ **性能曲线图** Performance Curve



▶ **性能参数及安装尺寸表** Performance Parameters and Installation Dimensions

Type 泵型号	Q Capacity 流量	Head (m) 扬程	Efficiency % 效率	Power kw 电机功率	r/min 转速	耦合器 Coupler 型号Type	H mm	H ₁ mm	H ₂ mm	H ₃ mm	H ₄ mm	H ₅ mm	H ₆ mm	H ₇ mm	Weight kg 泵重量
450WQ2300-10-90	1610	11.5	75	90	740	GAK-450	2500	1300	680	520	2030	2500	2000	1620	
	2300	10	85												
	2760	7.8	78												
450WQ2000-13-110	1400	14.5	73	110	740	GAK-450	2500	1300	680	520	2030	2500	2000	1620	
	2000	13	85												
	2400	10.5	75												
450WQ2100-15-132	1470	17	72	132	740	GAK-450	2700	1300	680	520	2030	2500	2000	1620	
	2100	15	85												
	2520	11.5	75												
500WQ2500-10-110	1750	11.5	72	110	740	GAK-500	2720	1370	710	560	2115	2500	2000	1650	
	2500	10	85												
	3000	7.5	74												
500WQ2200-14-132	1540	15.5	74	132	740	GAK-500	3120	1370	710	560	2115	2500	2000	1650	
	2200	14	85												
	2640	11	74												
500WQ2500-16-160	1750	17.5	75	160	740	GAK-500	3120	1370	710	560	2115	2500	2000	1650	
	2500	16	85												
	3000	13	80												

▶ **安装尺寸图** Installation Dimensions Drawing





上海凯程制泵有限公司

SHANGHAI KAICHENG PUMP CO.,LTD

地址：上海市陕西北路1438号

邮编：200060

电话：021-62989587 62989687

021-56701122 52527372

0086-21-62989871

传真：021-62989790

国内贸易邮箱：kcmp@kcmp.cn

国际贸易邮箱：Sell@kcmp.cn

公司邮箱：kaicheng@sh163.net

公司网址：<http://www.kcmp.cn>

免费咨询电话：8008207382

Add: No.1438 Shanxi North Road,Shanghai.

Zip: 200060

Tel: 021-62989587 62989687

021-56701122 52527372

0086-21-62989871

Fax: 021-62989790

Domestic Trade: kcmp@kcmp.cn

International Trade: Sell@kcmp.cn

E-mail: kaicheng@sh163.net

Web: www.kcmp.cn